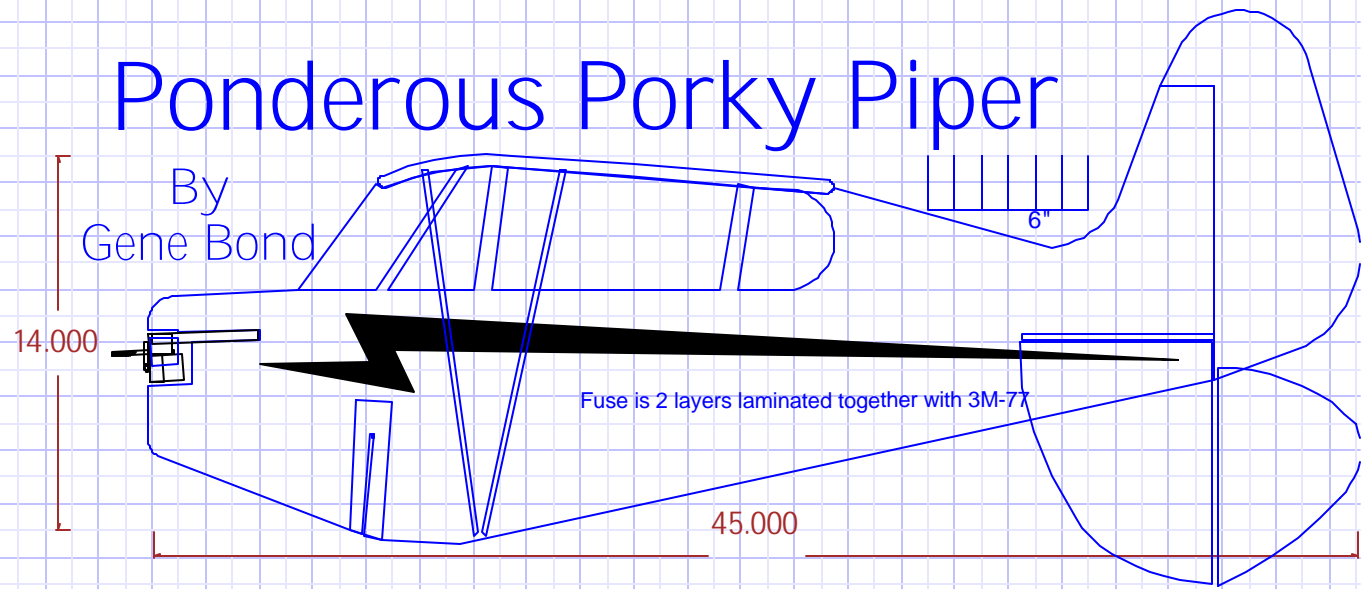
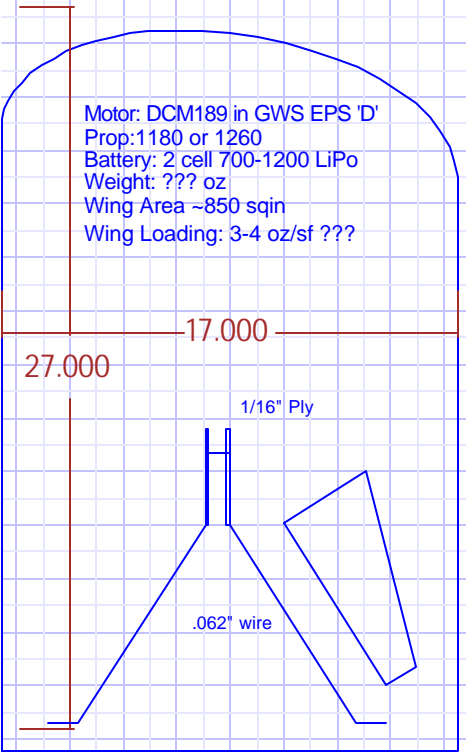
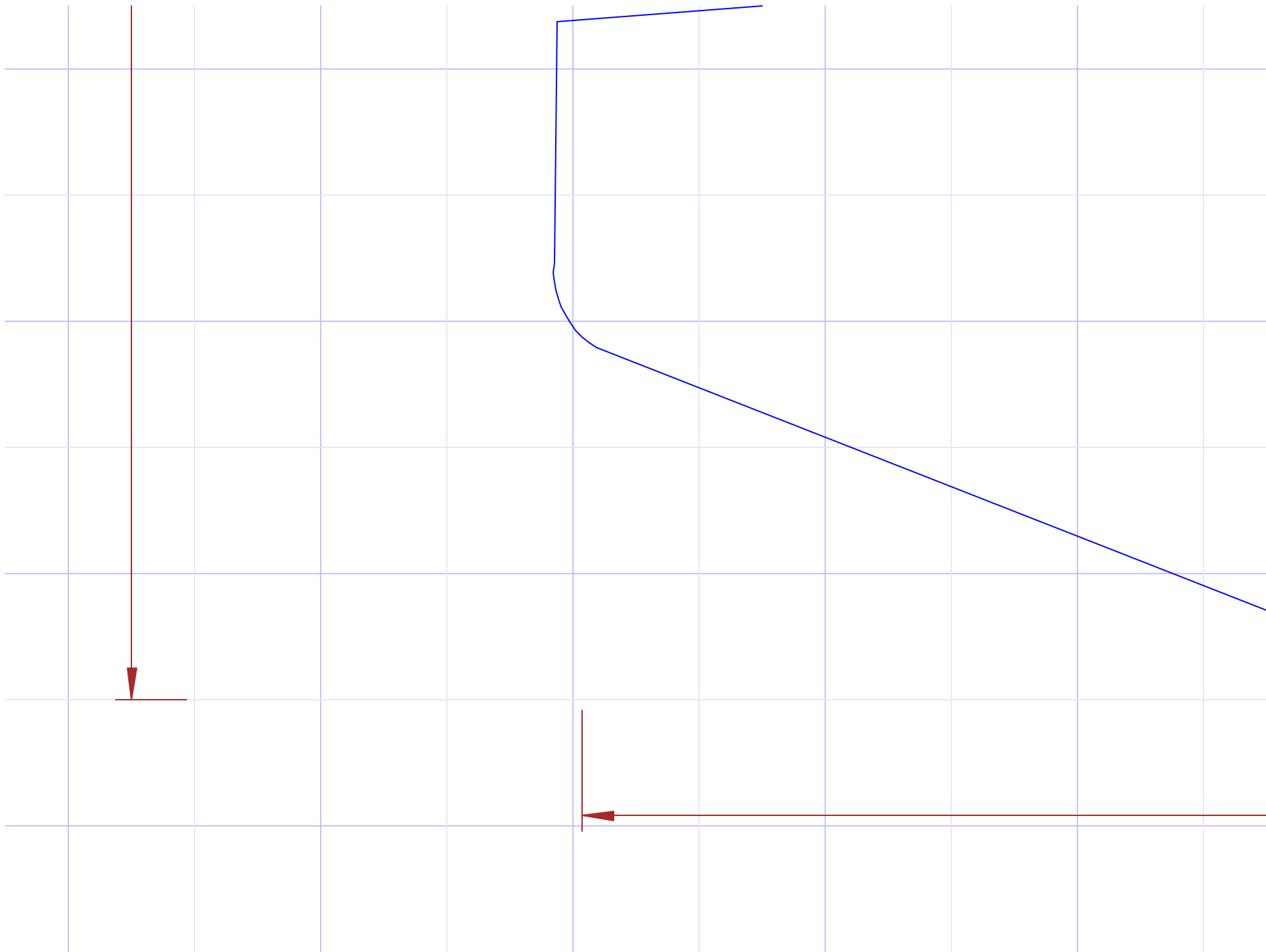
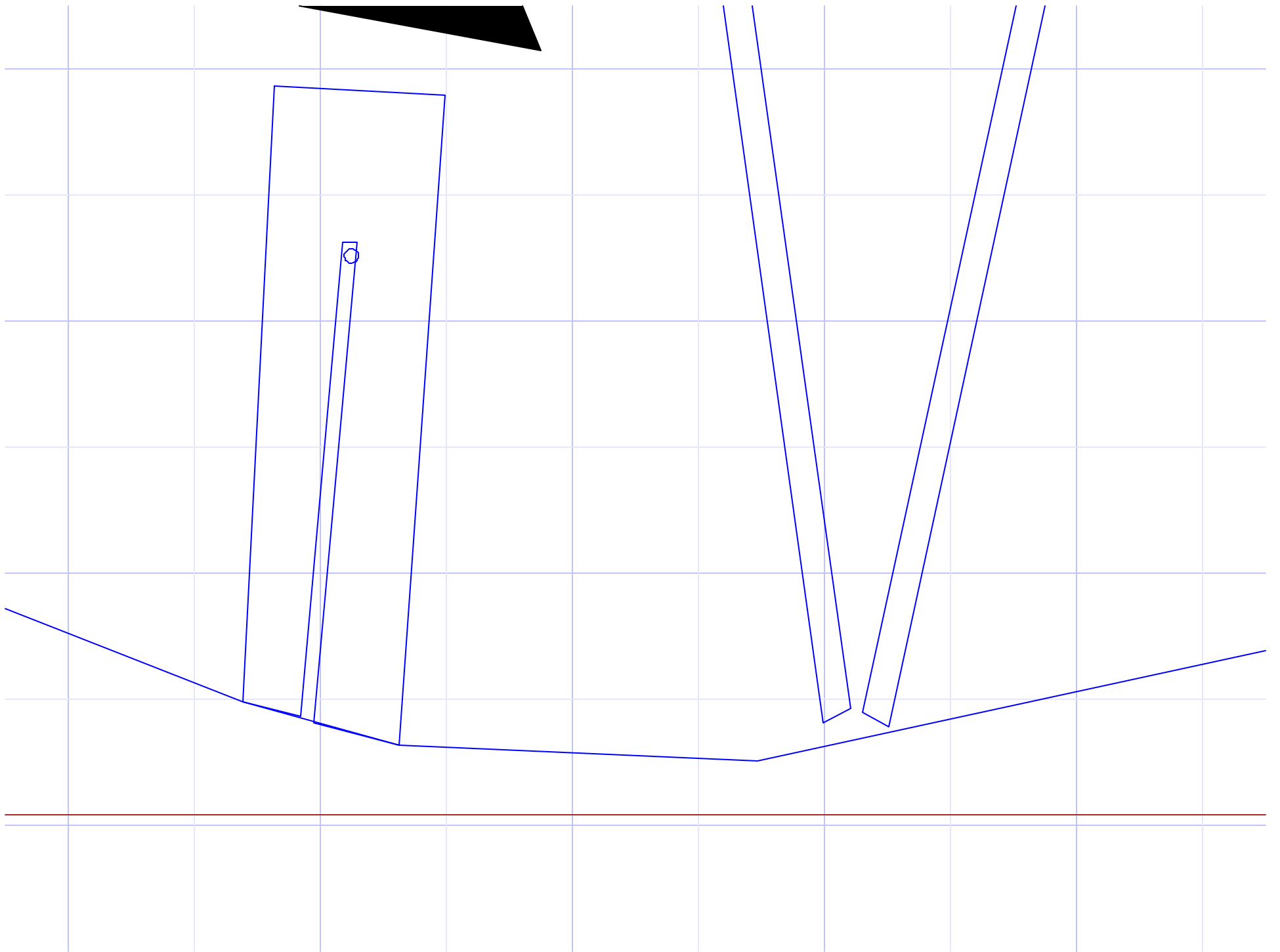


Ponderous Porky Piper

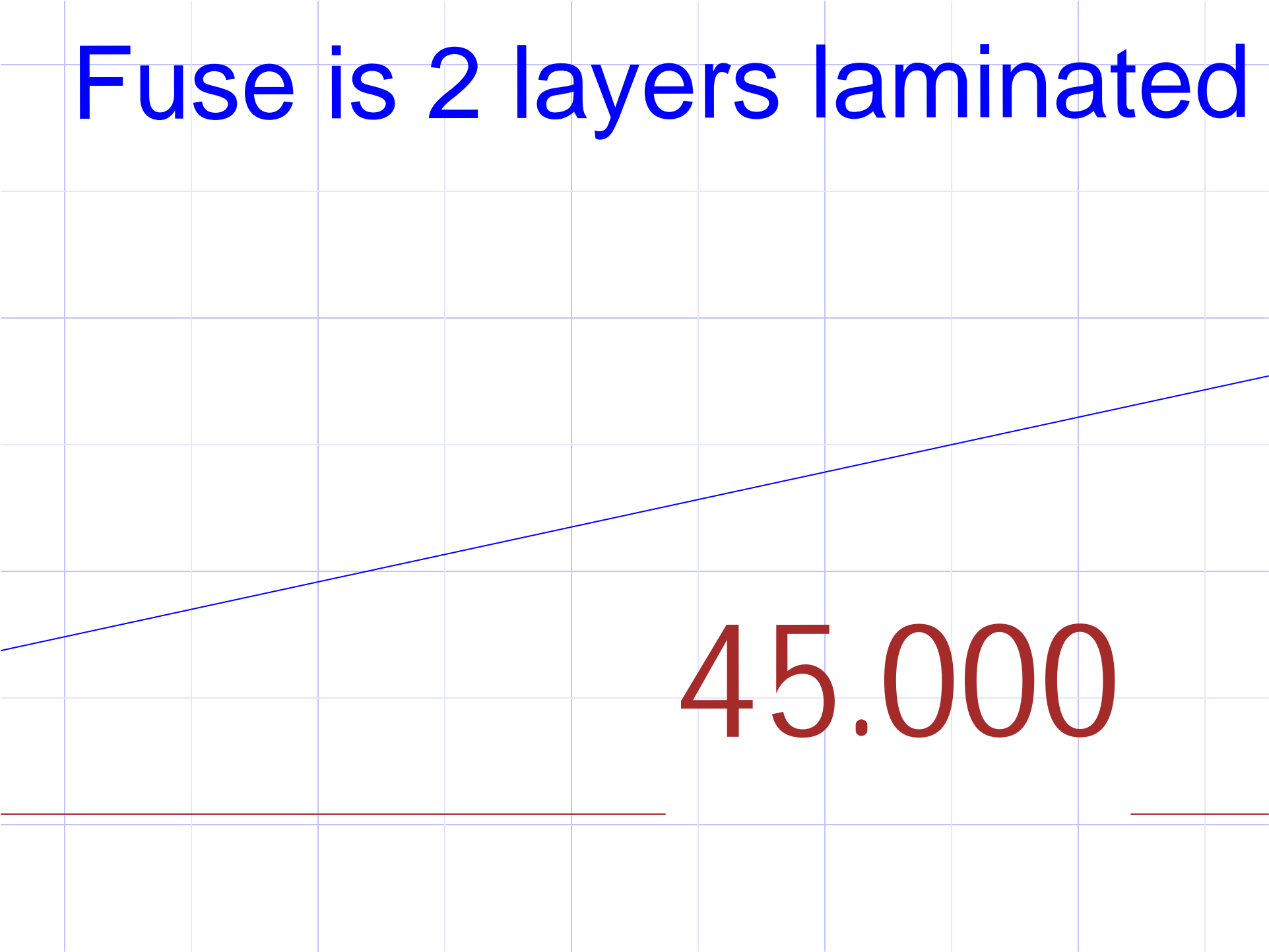
By
Gene Bond





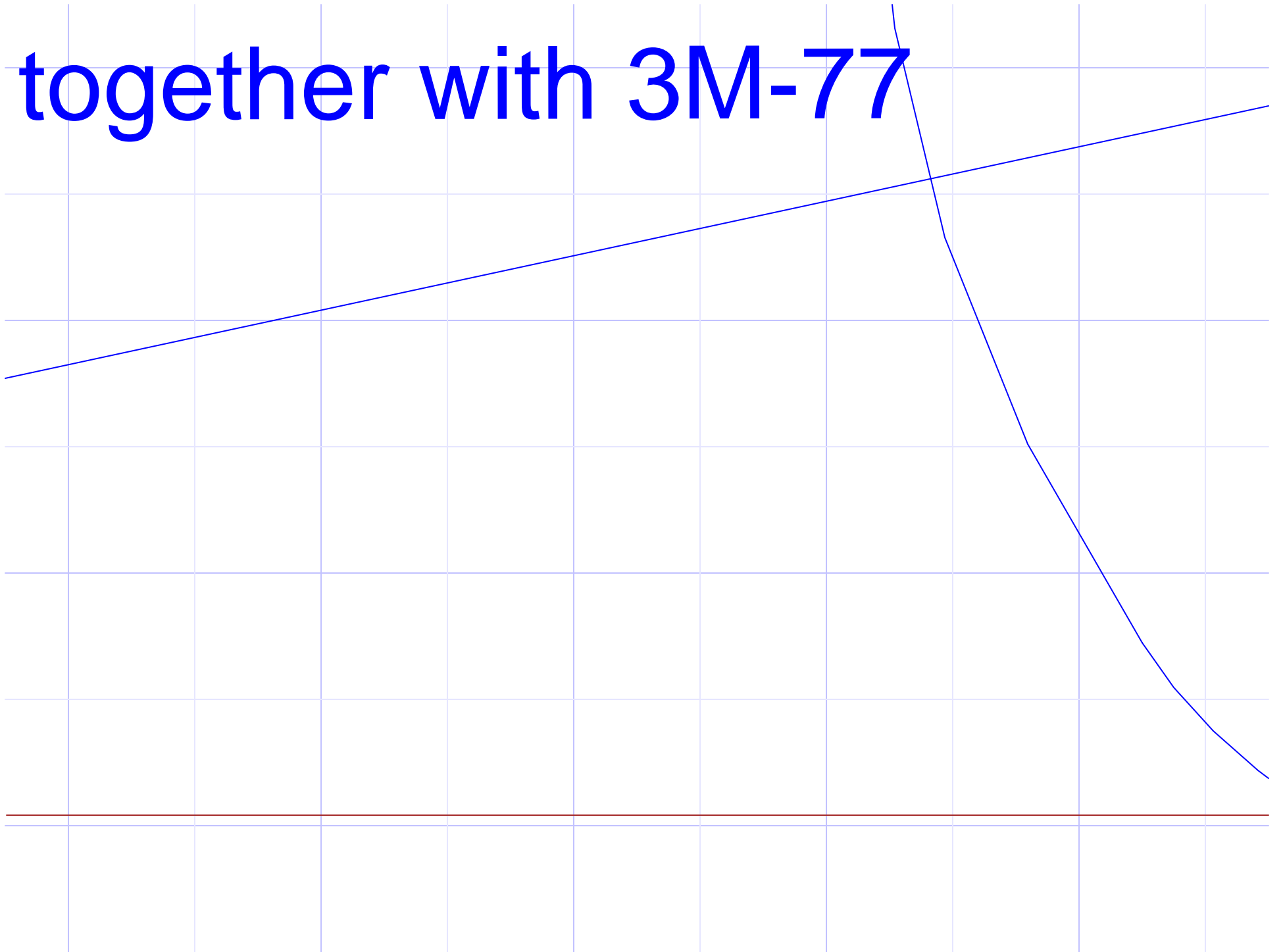


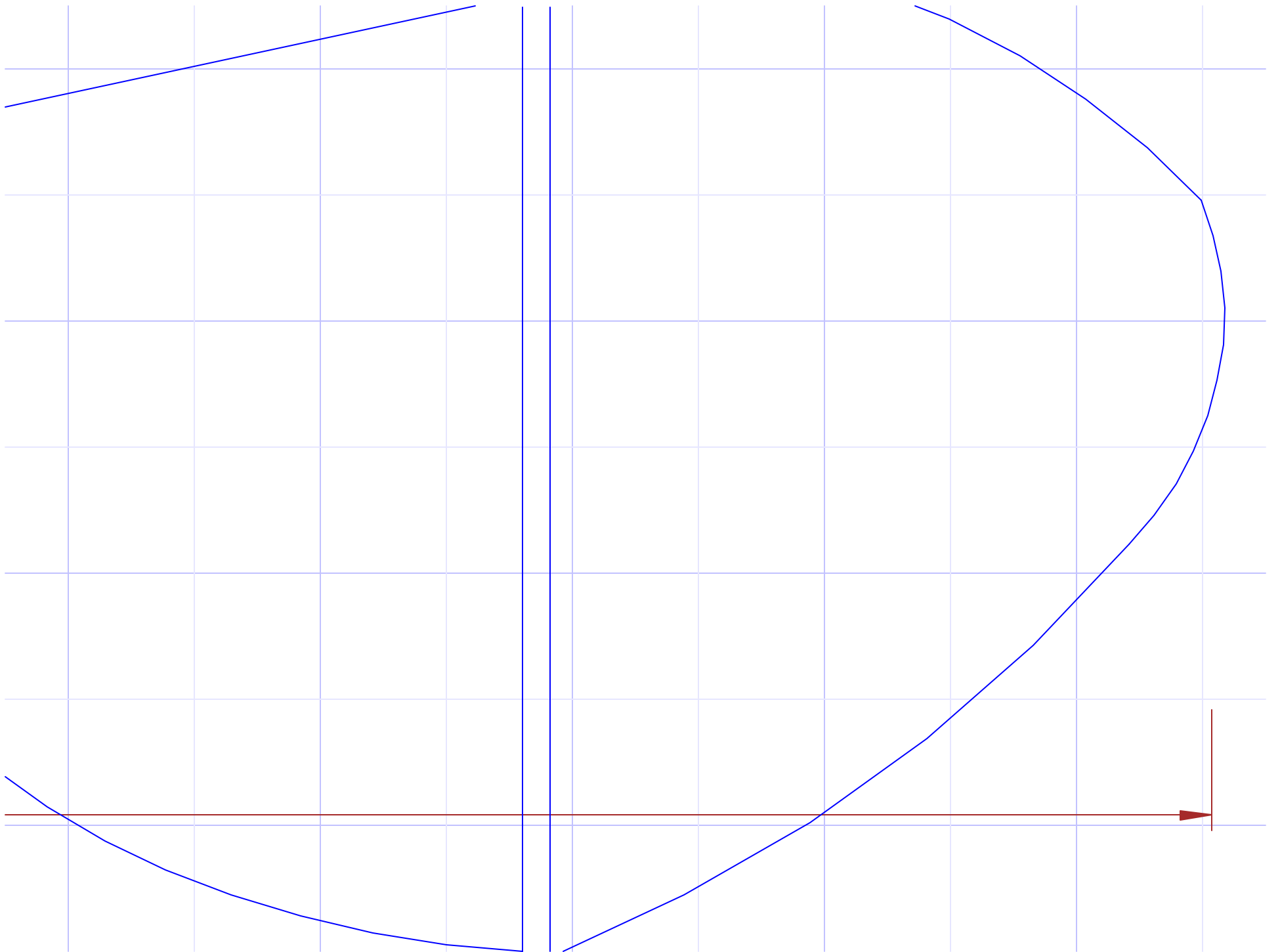
Fuse is 2 layers laminated



45.000

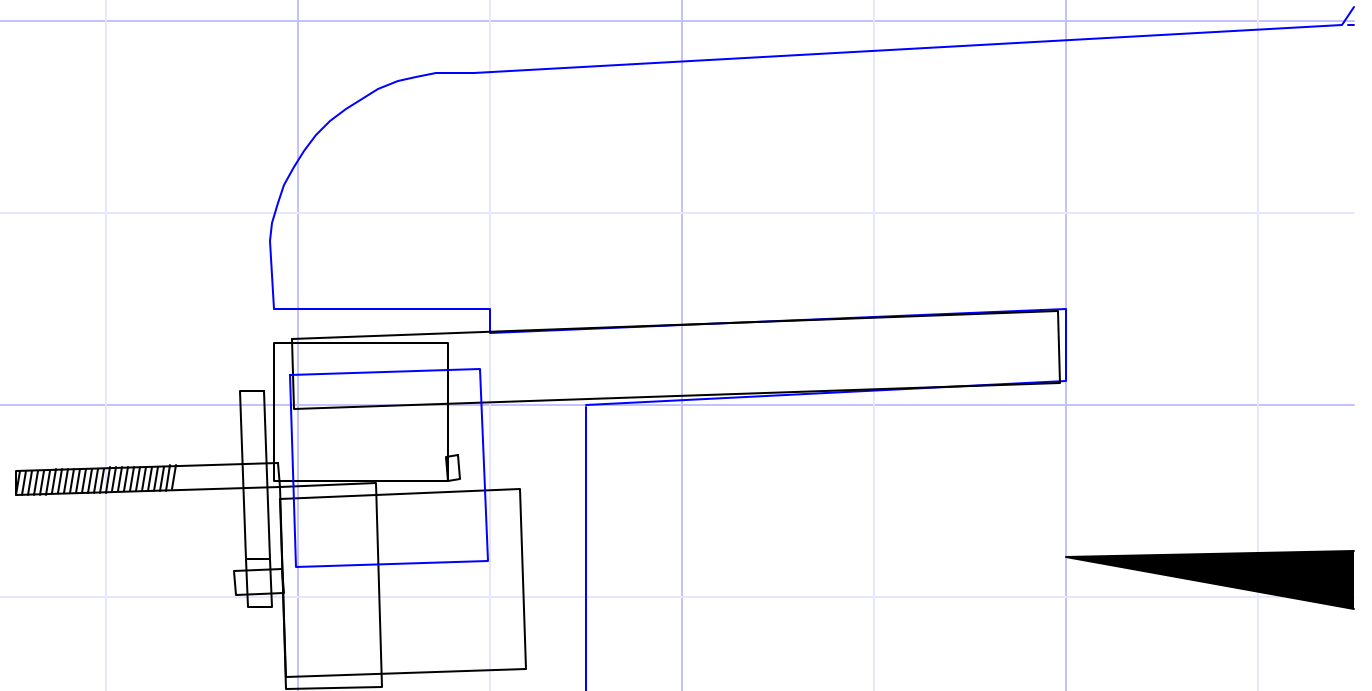
together with 3M-77

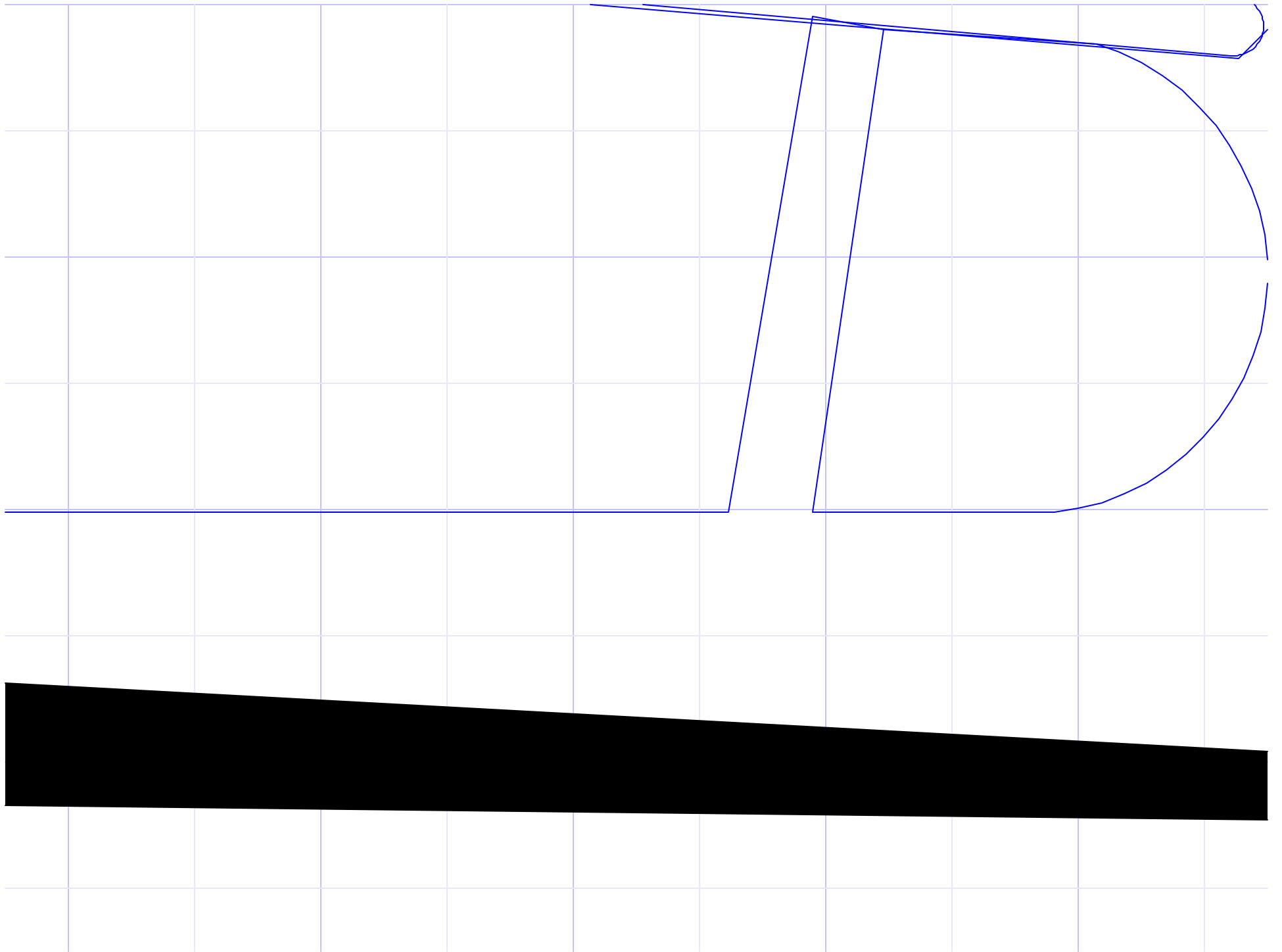


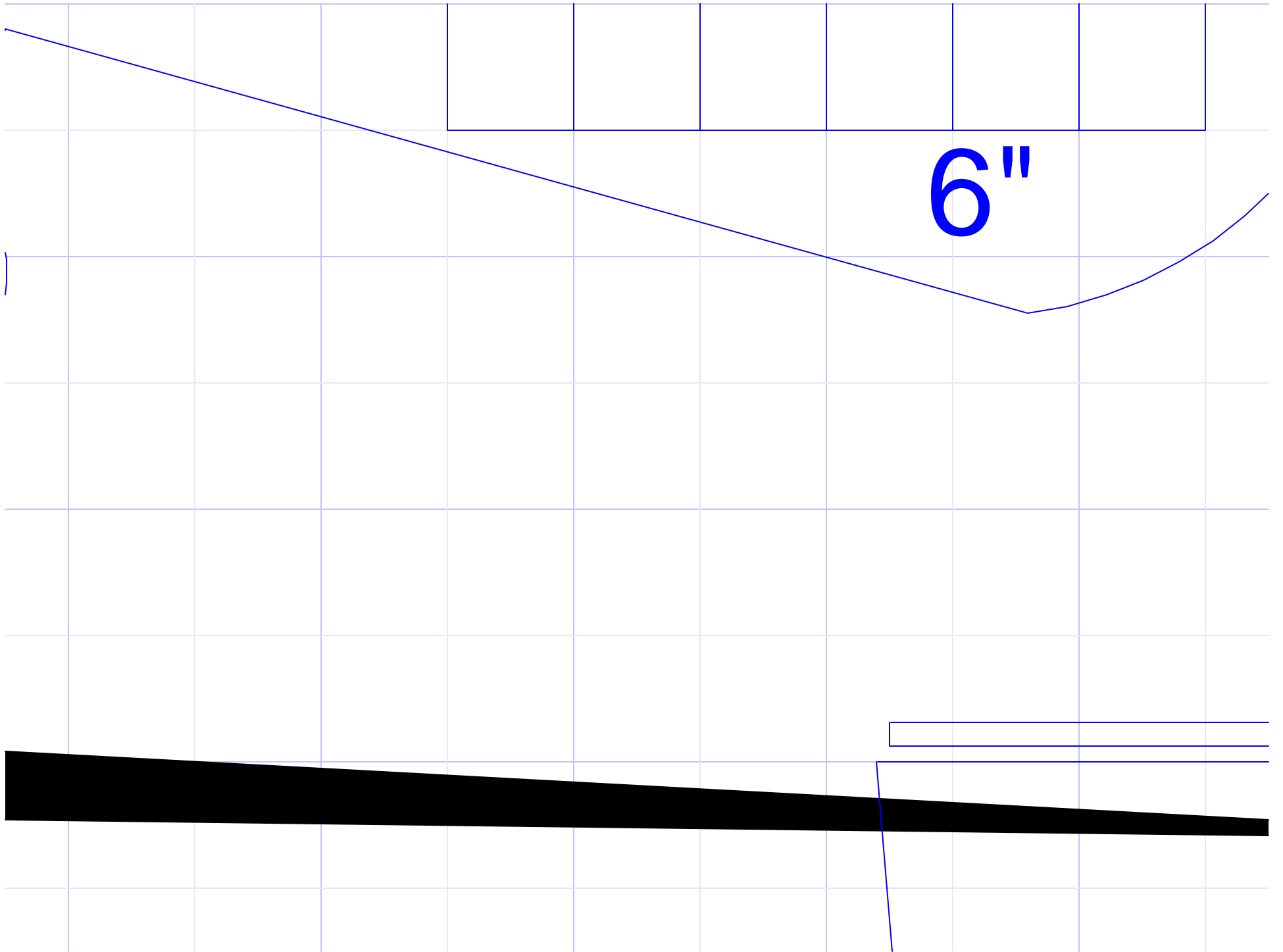


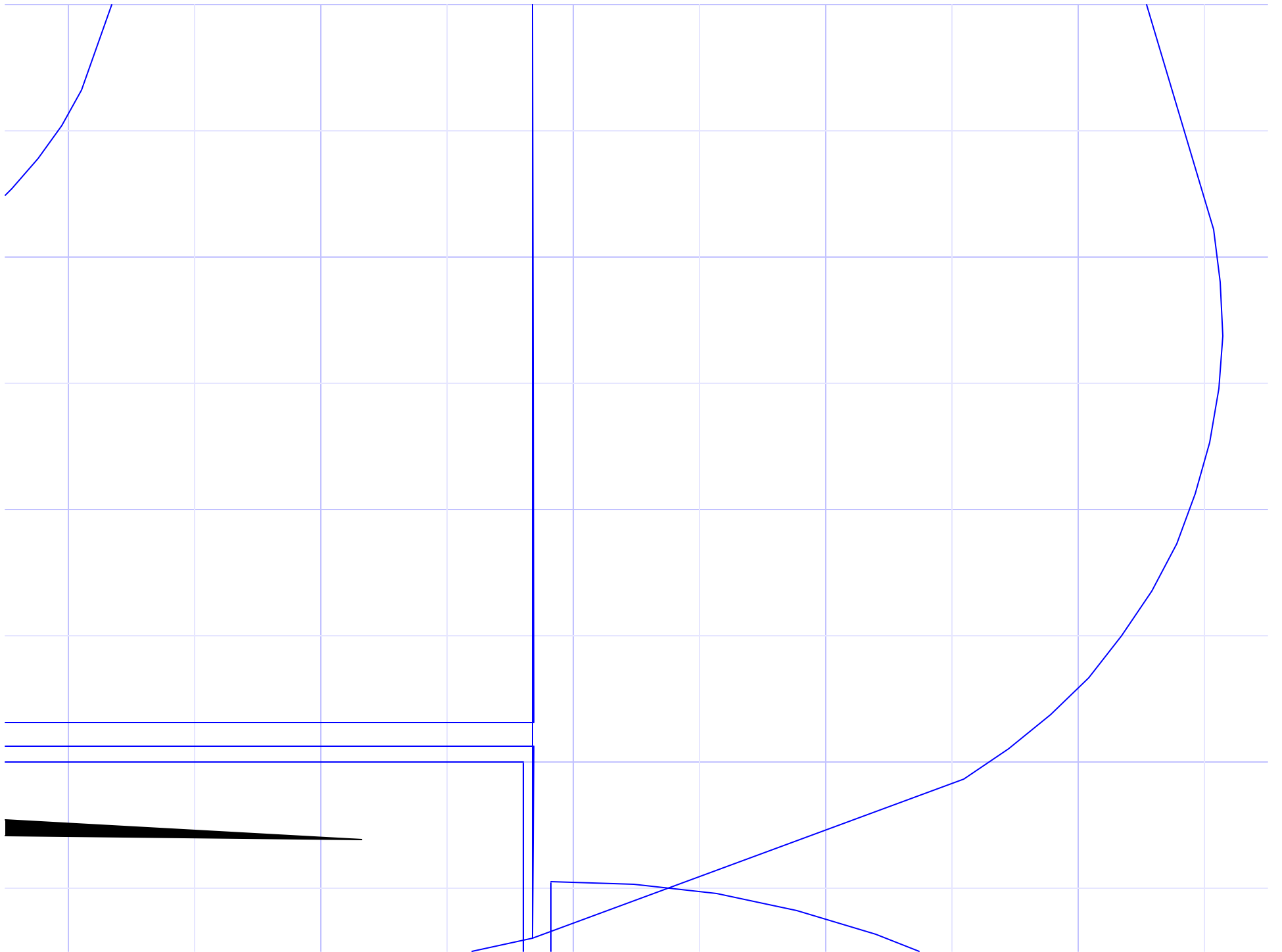
By Gene Bond

4.000

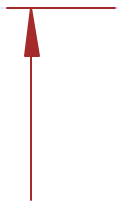




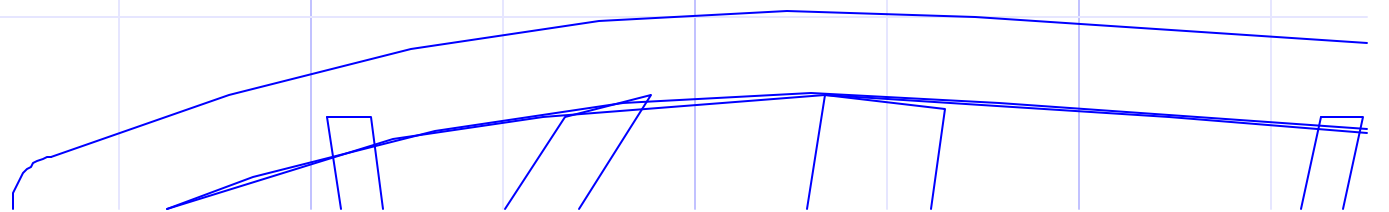




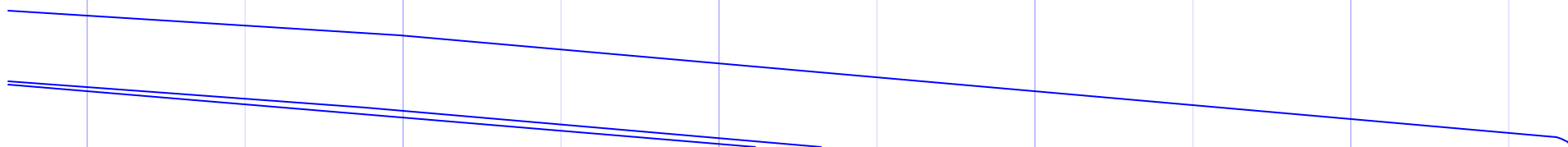
Ponic



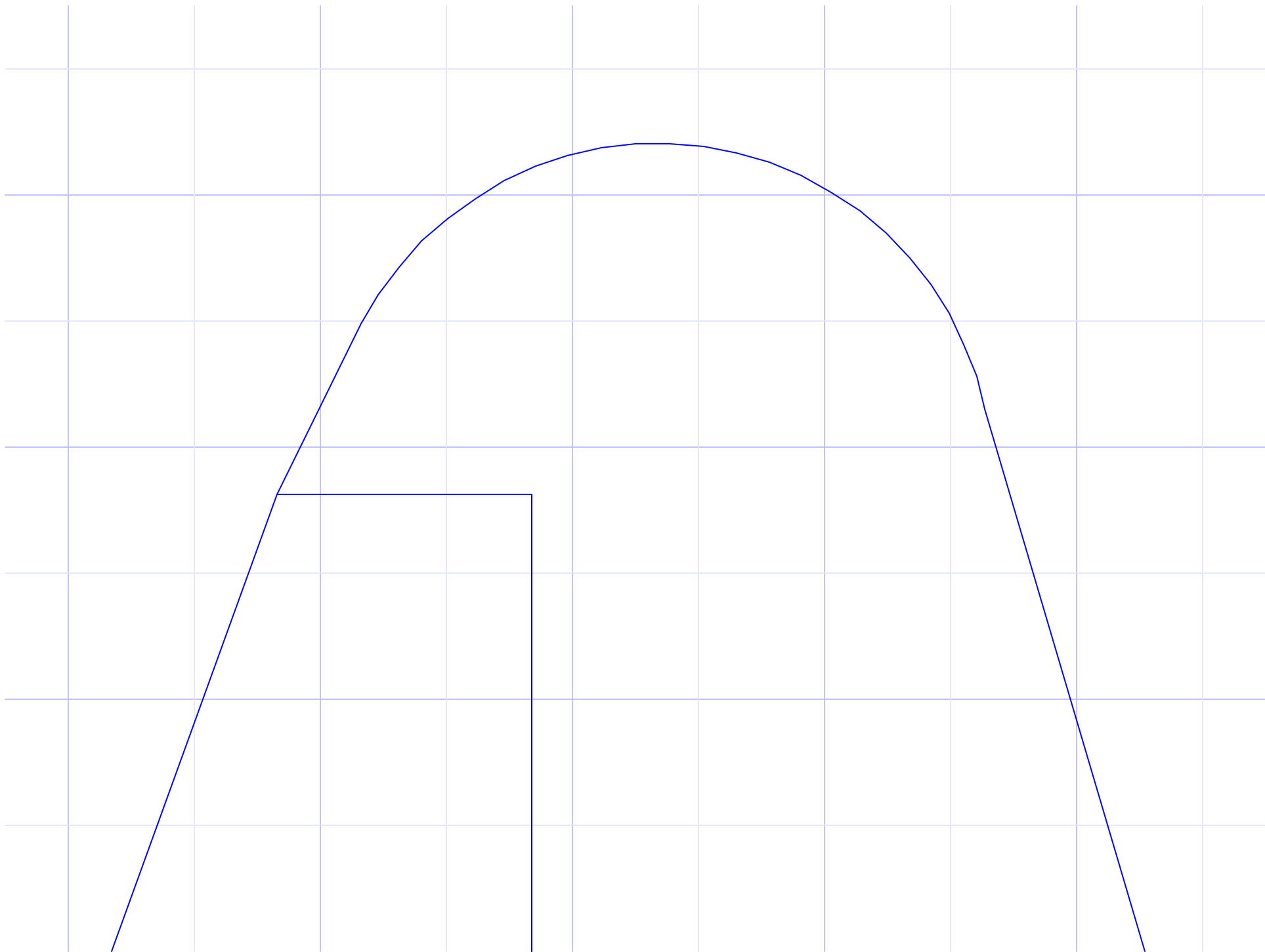
derous

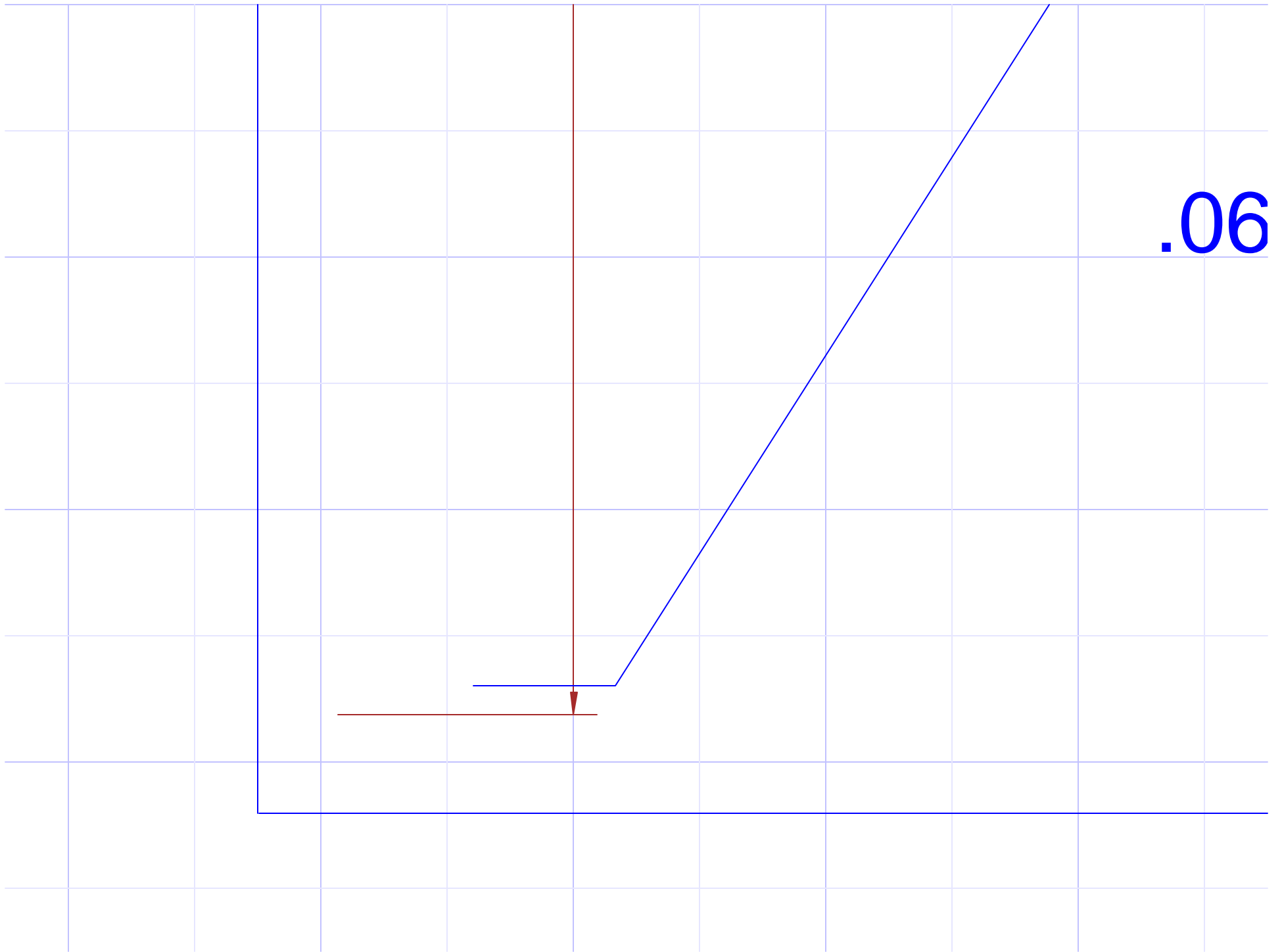


Porky



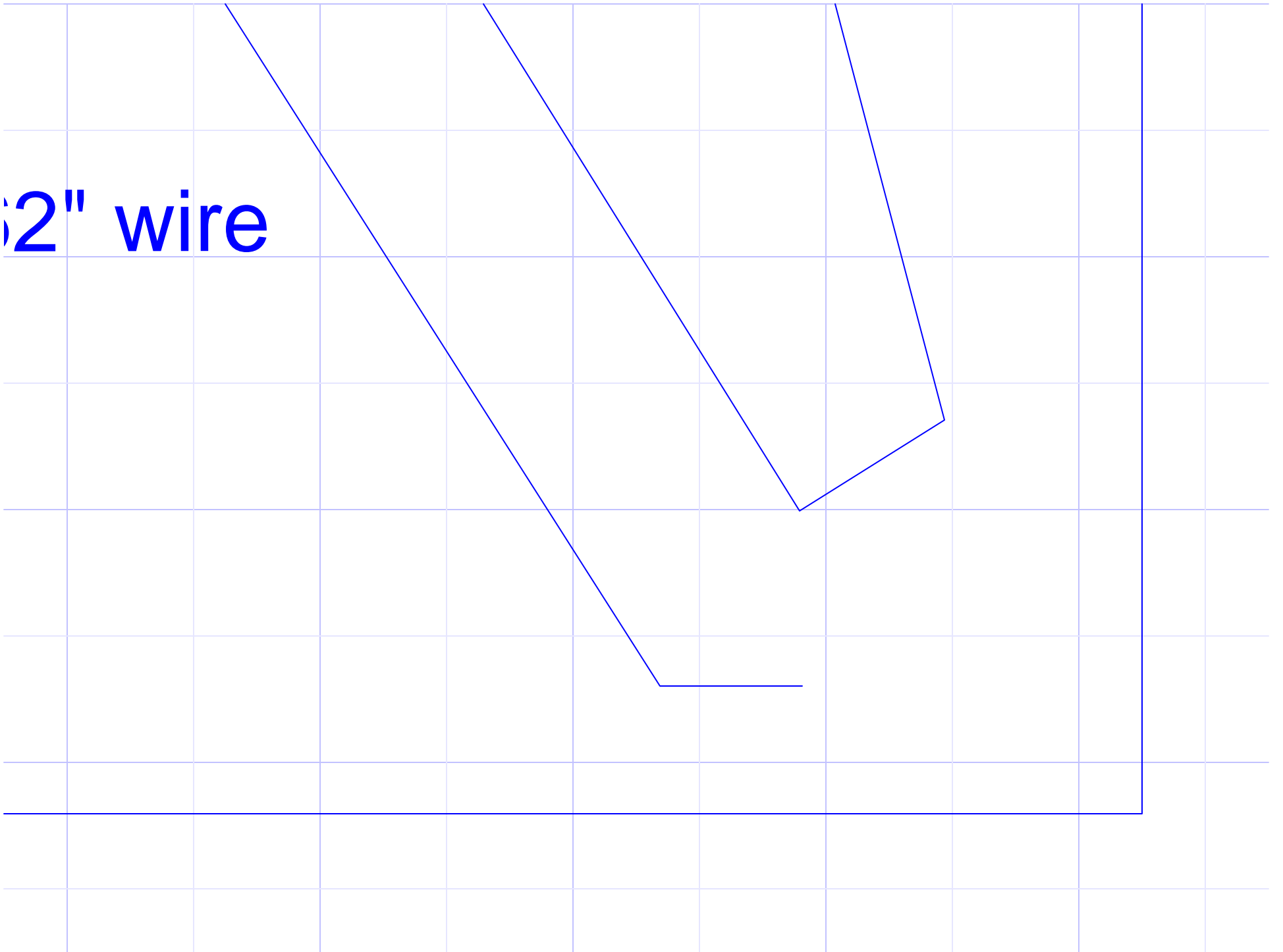
Piiper





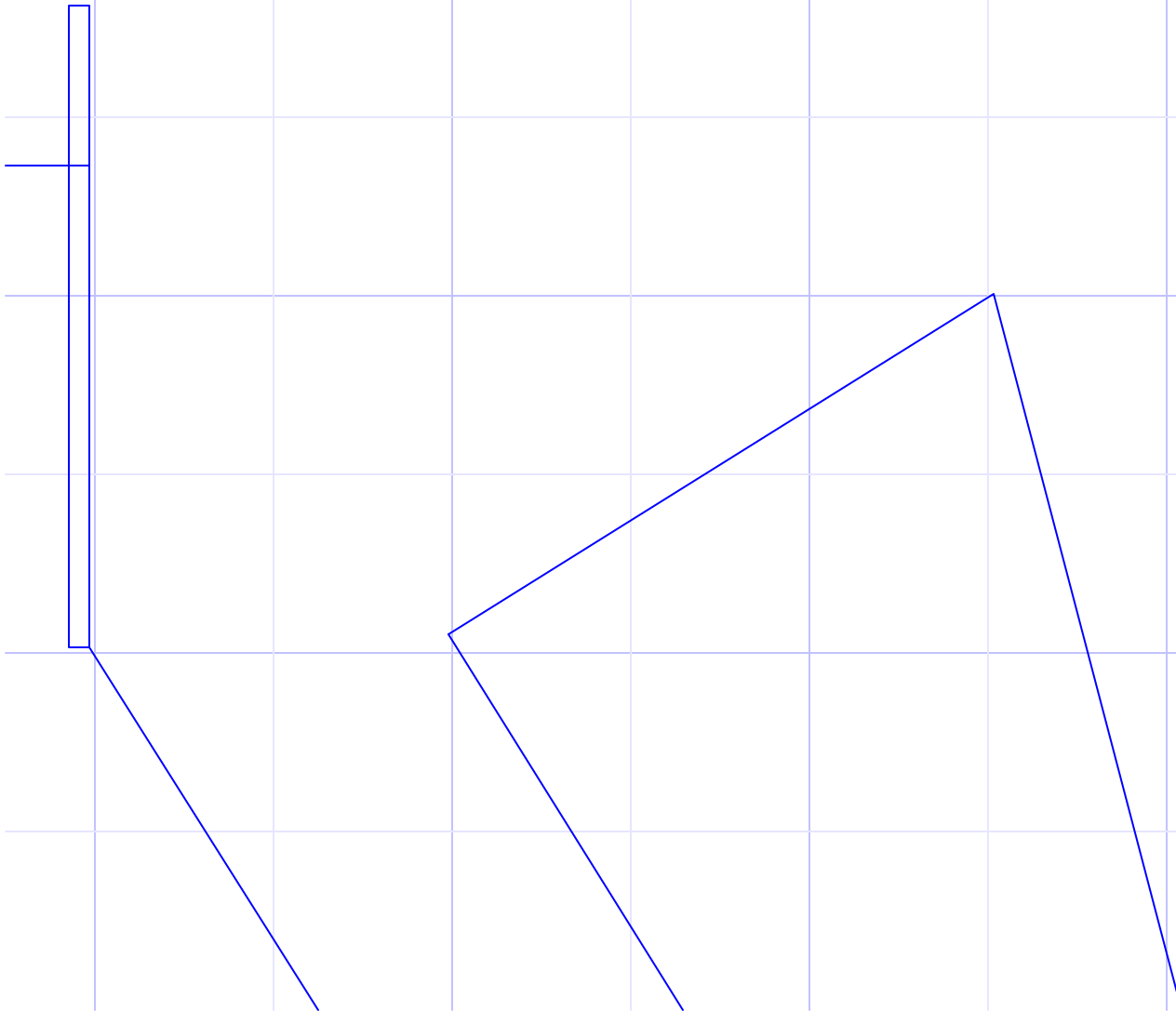
.06

2" wire





1/16" Ply



Weight: ????
Wing Area ~8
Wing Loading



17


27.000

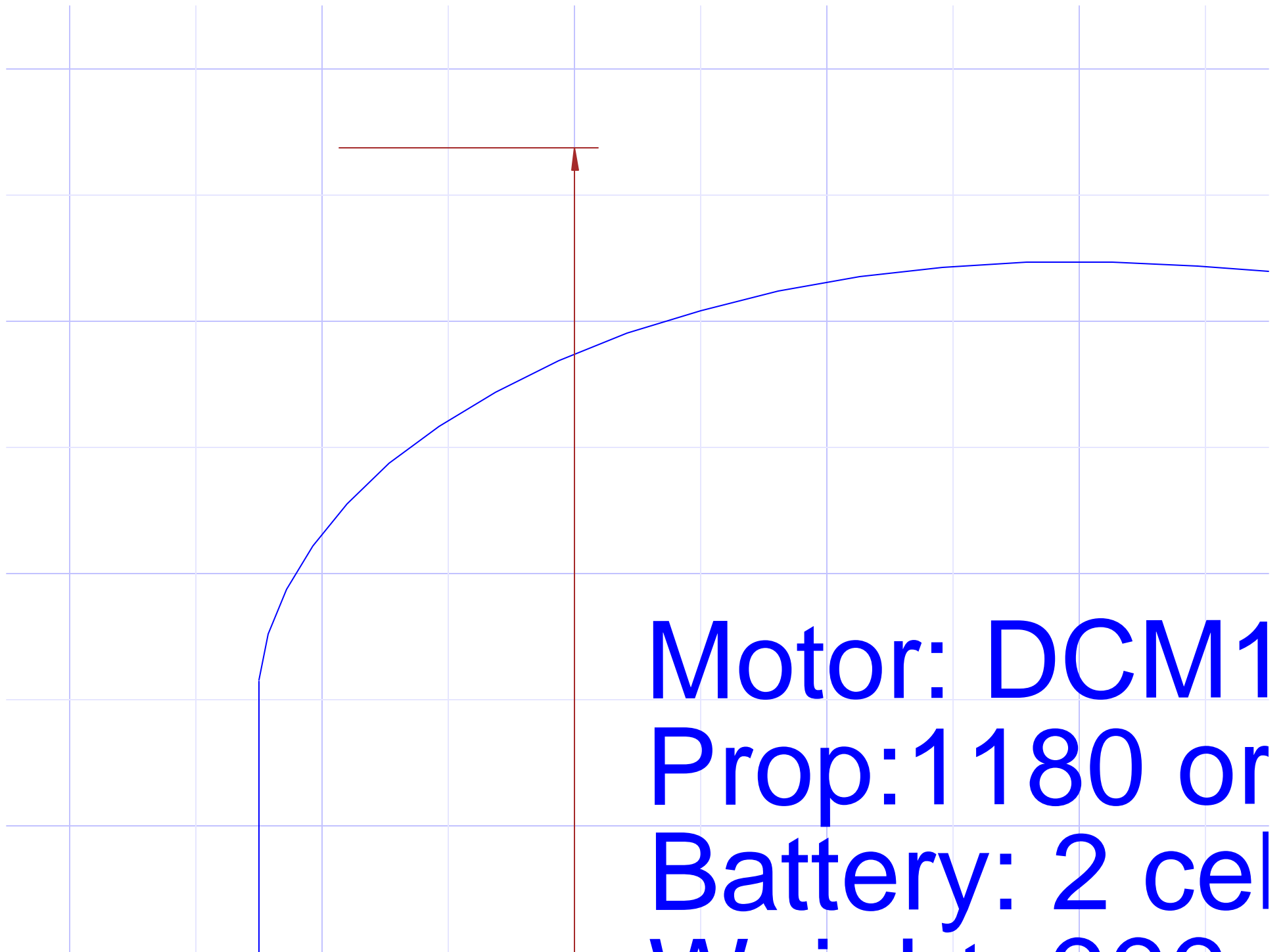
0Z

350 sqin

g: 3-4 oz/sf ???

.000





Motor: DCM1
Prop: 1 180 or
Battery: 2 cel
v v v v v v v v v v

