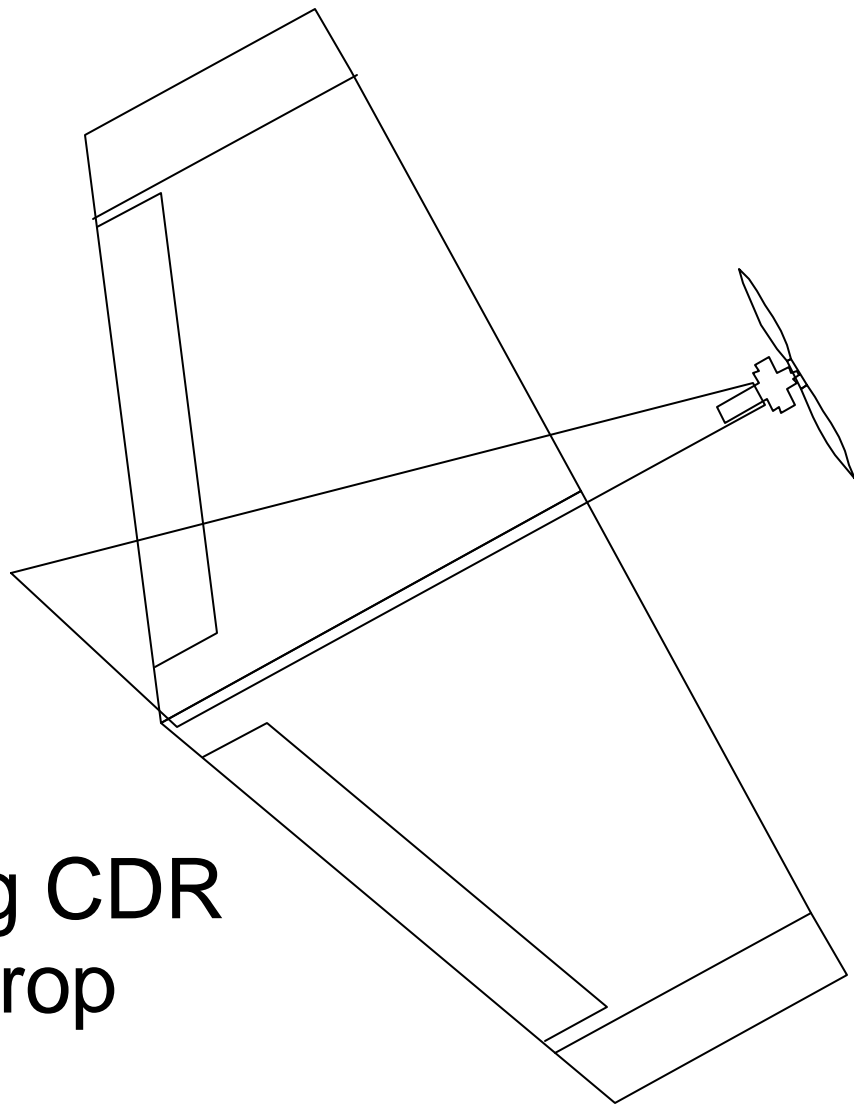


The BluBat

by Gene Bond



22" ws

5.2oz

10t/24g CDR

5043 prop

2s830

The BluBat

by Gene Bond
22" WS
5.2oz
10t/24g CDR
5043 prop
25830

