

Blu-Ripper

By Gene Bond

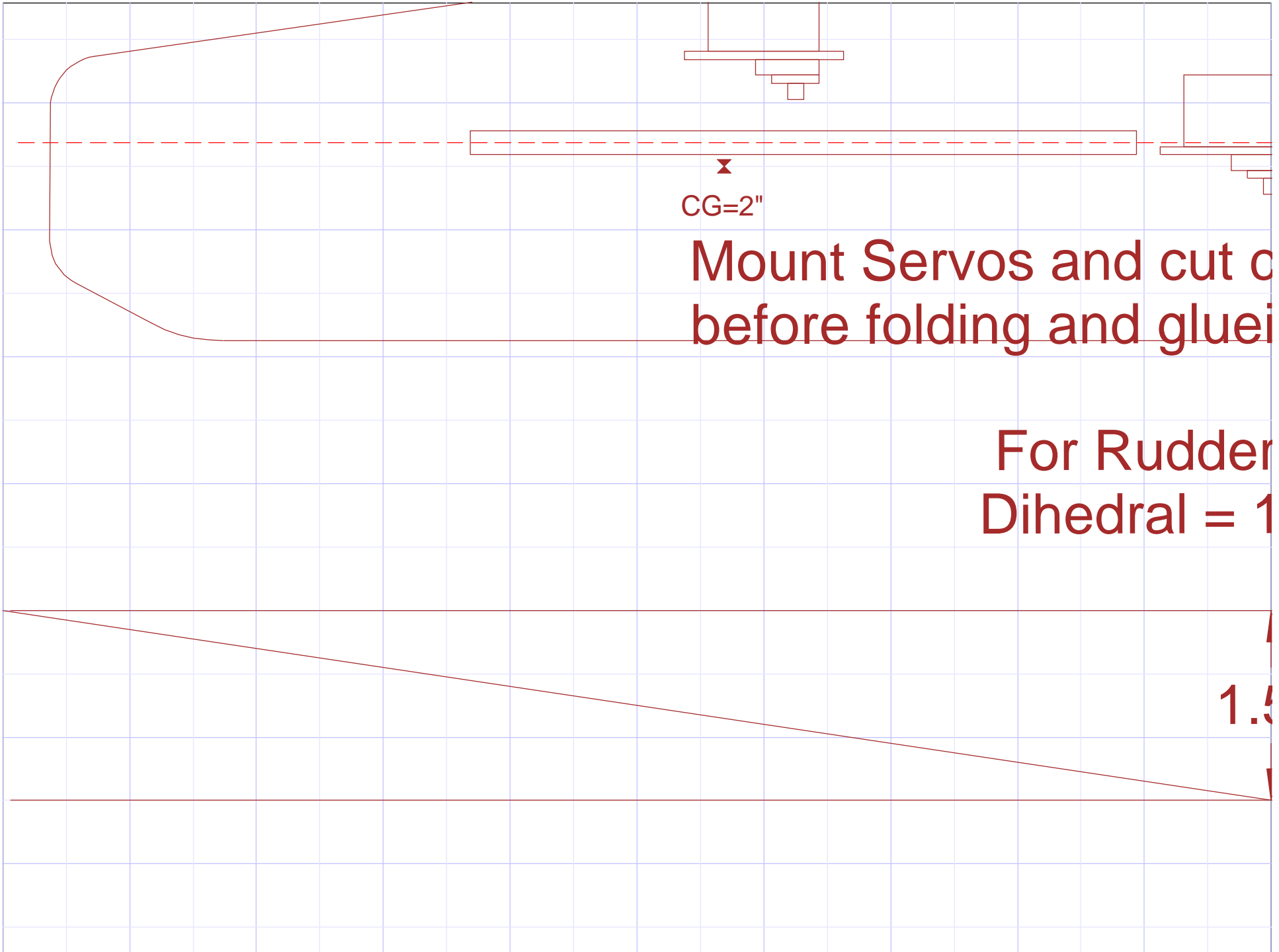
FanFold Windy Day Flyer

DCM-189 DD with 4x2.5 Hobbico Prop

2s830 pack

5.5oz



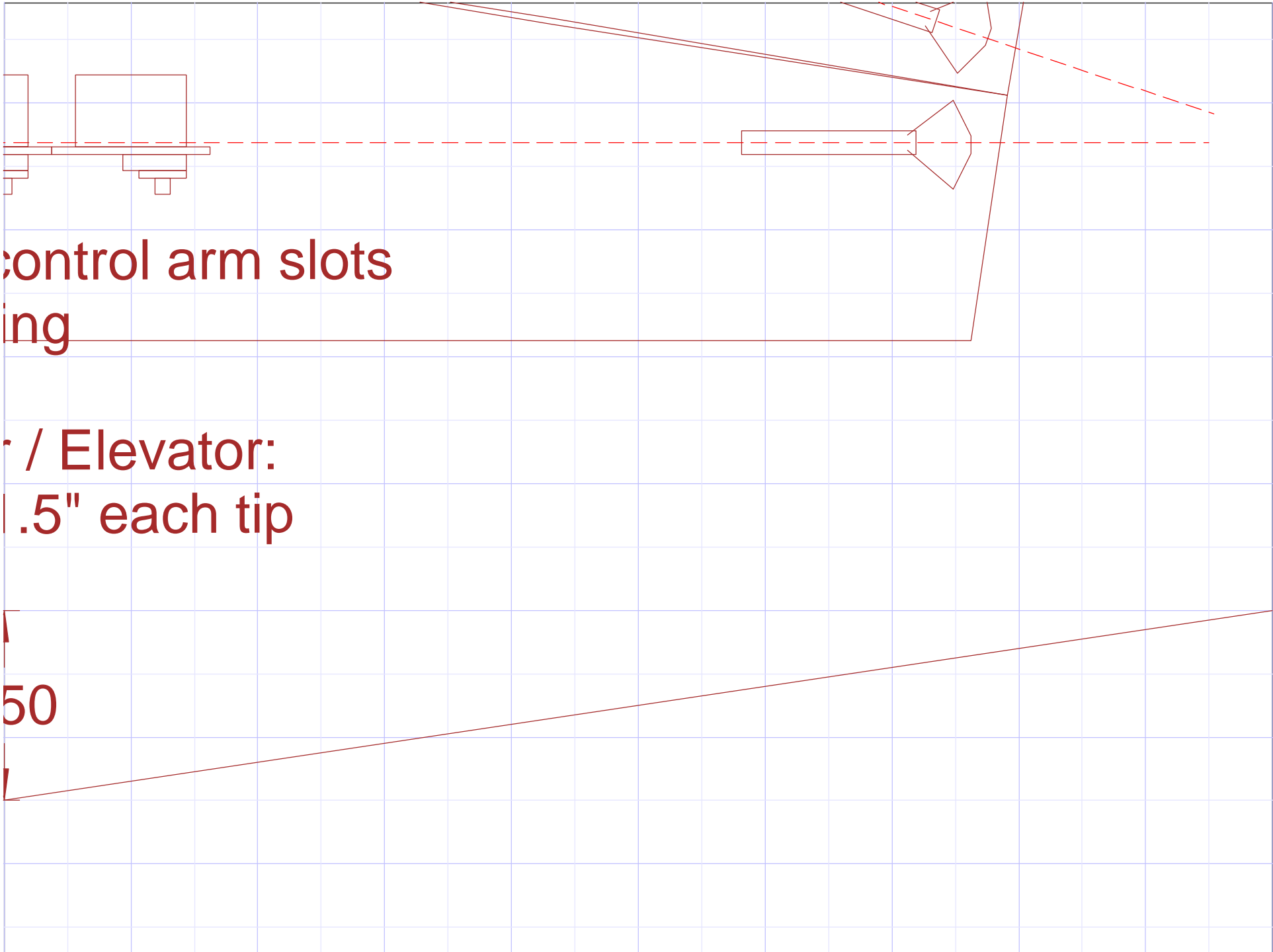


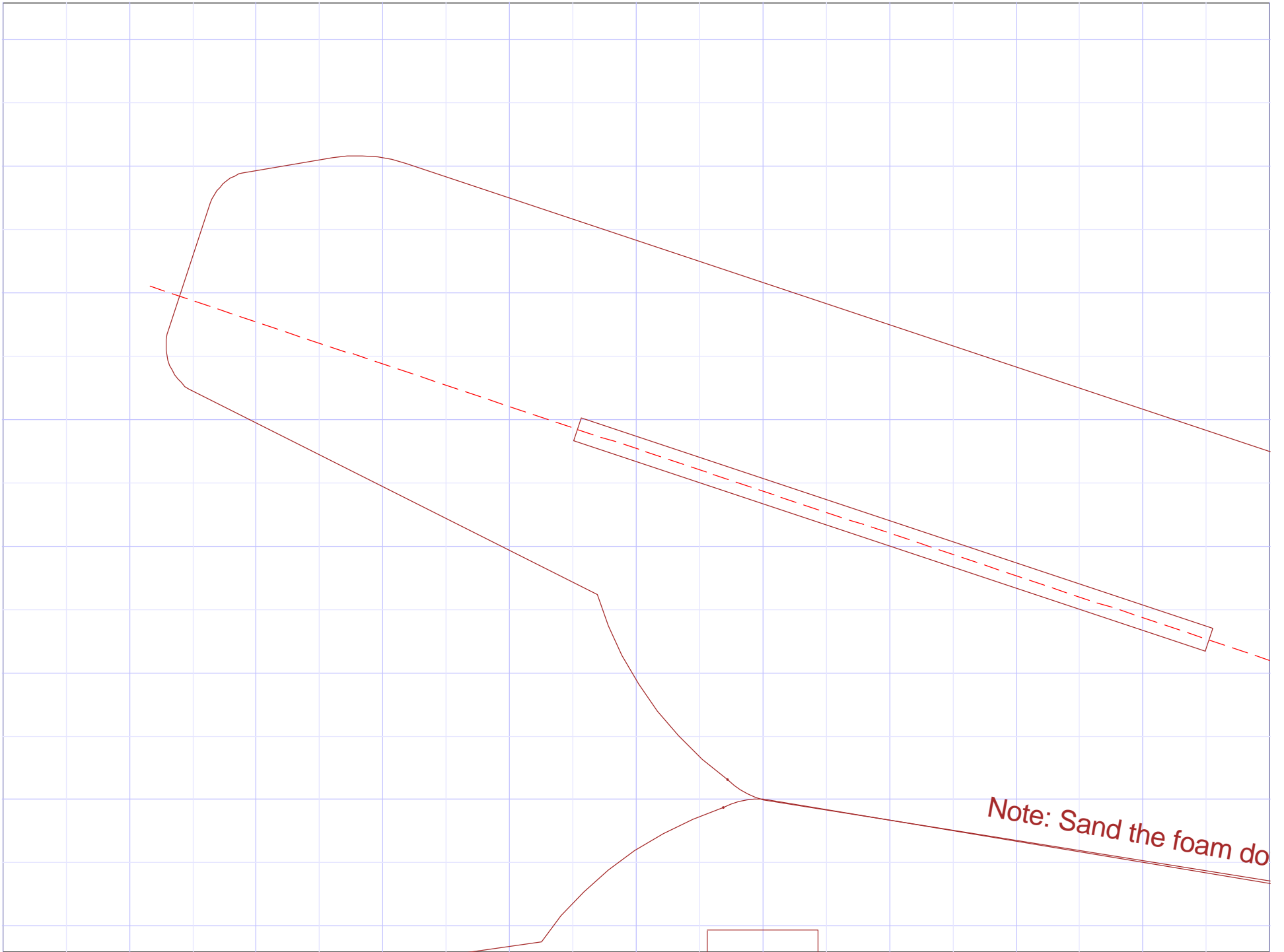
CG=2"

Mount Servos and cut out
before folding and glueing

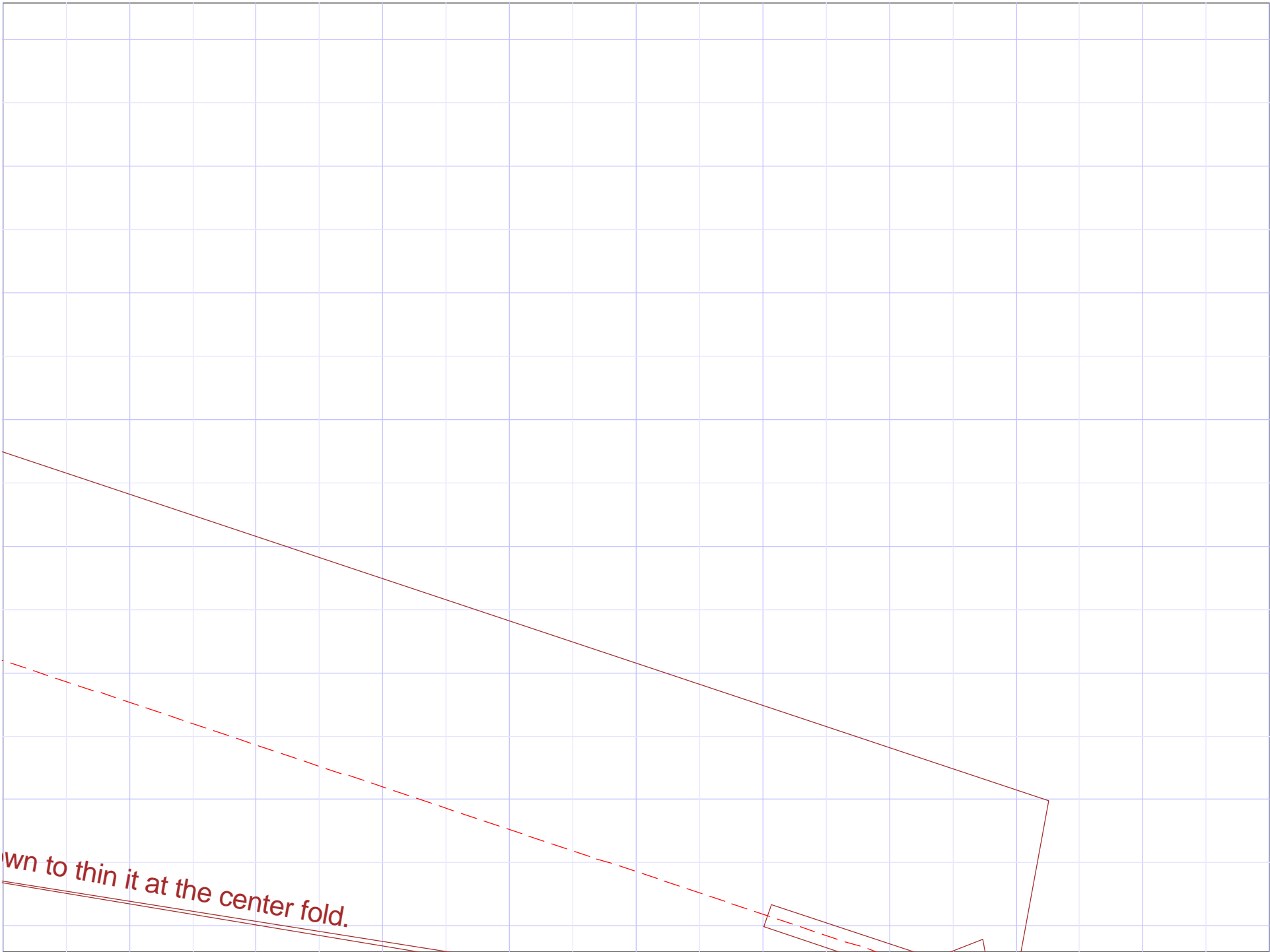
For Rudder
Dihedral = 1

1.5

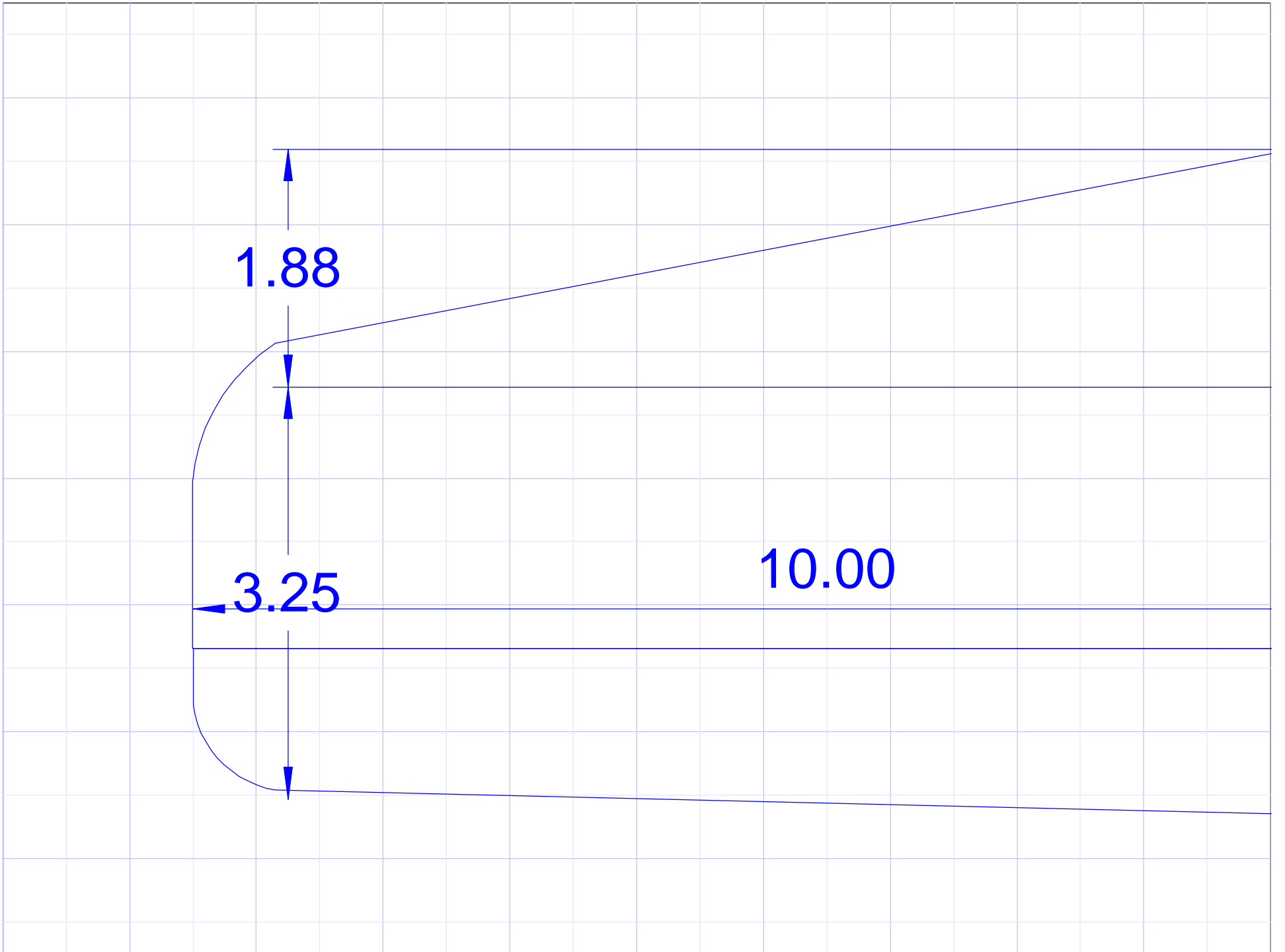


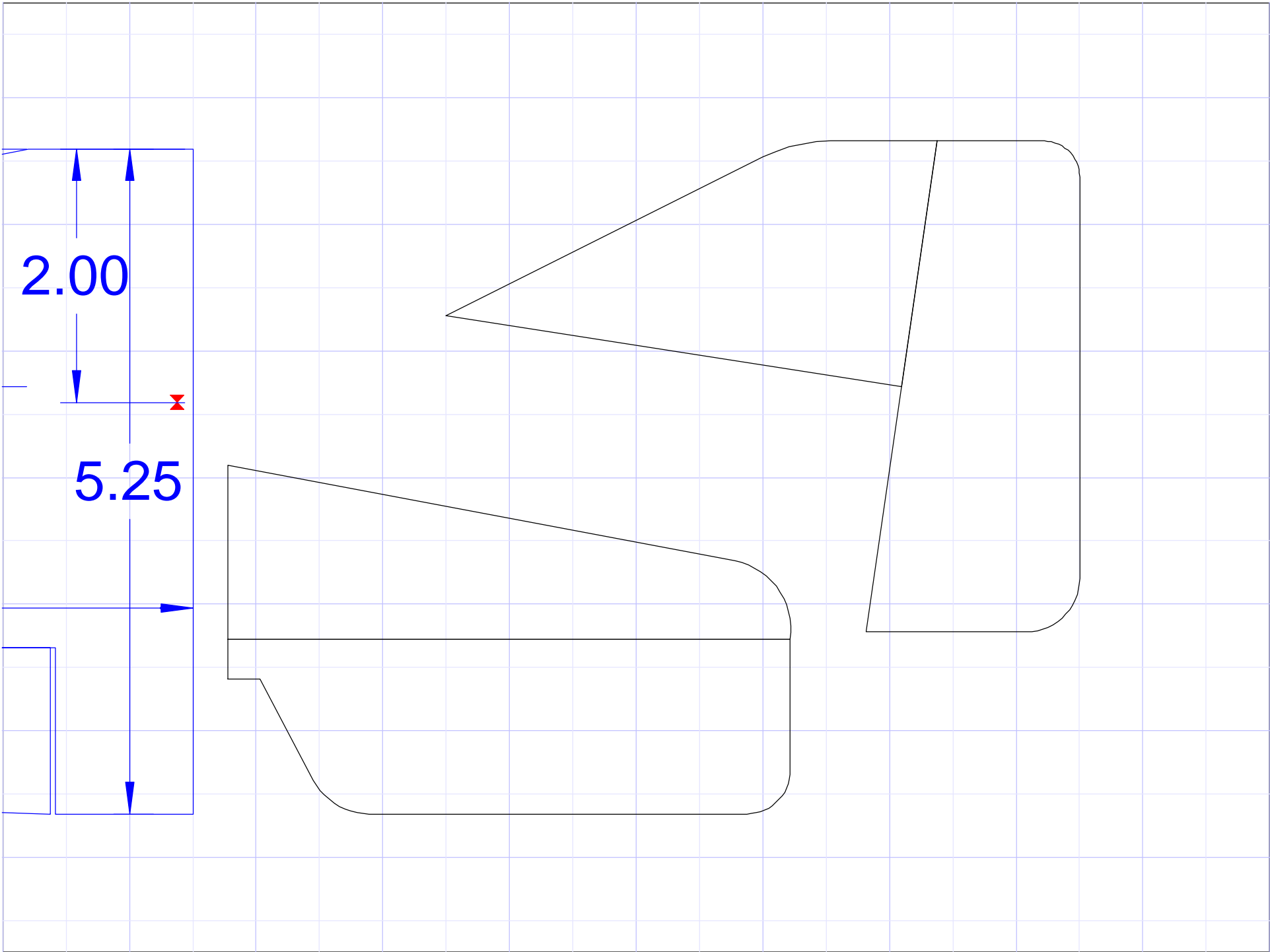


Note: Sand the foam do



wn to thin it at the center fold.





2.00

5.25