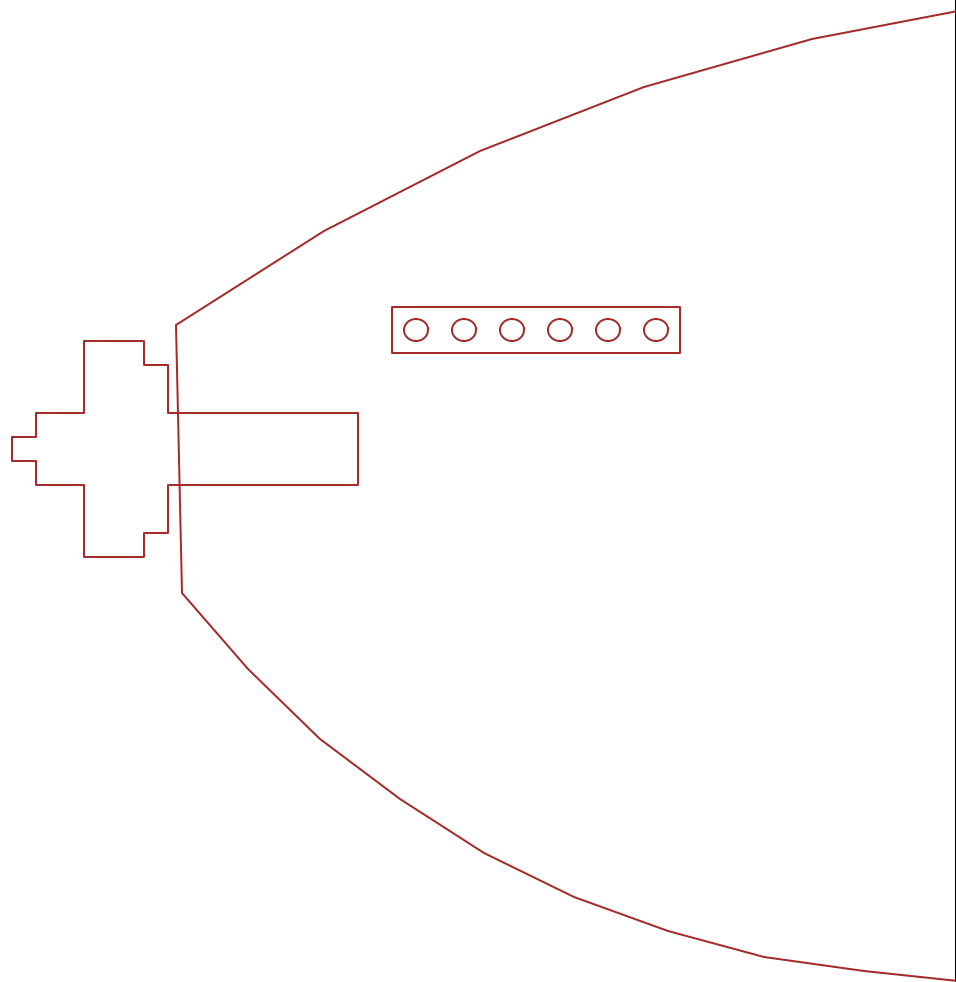
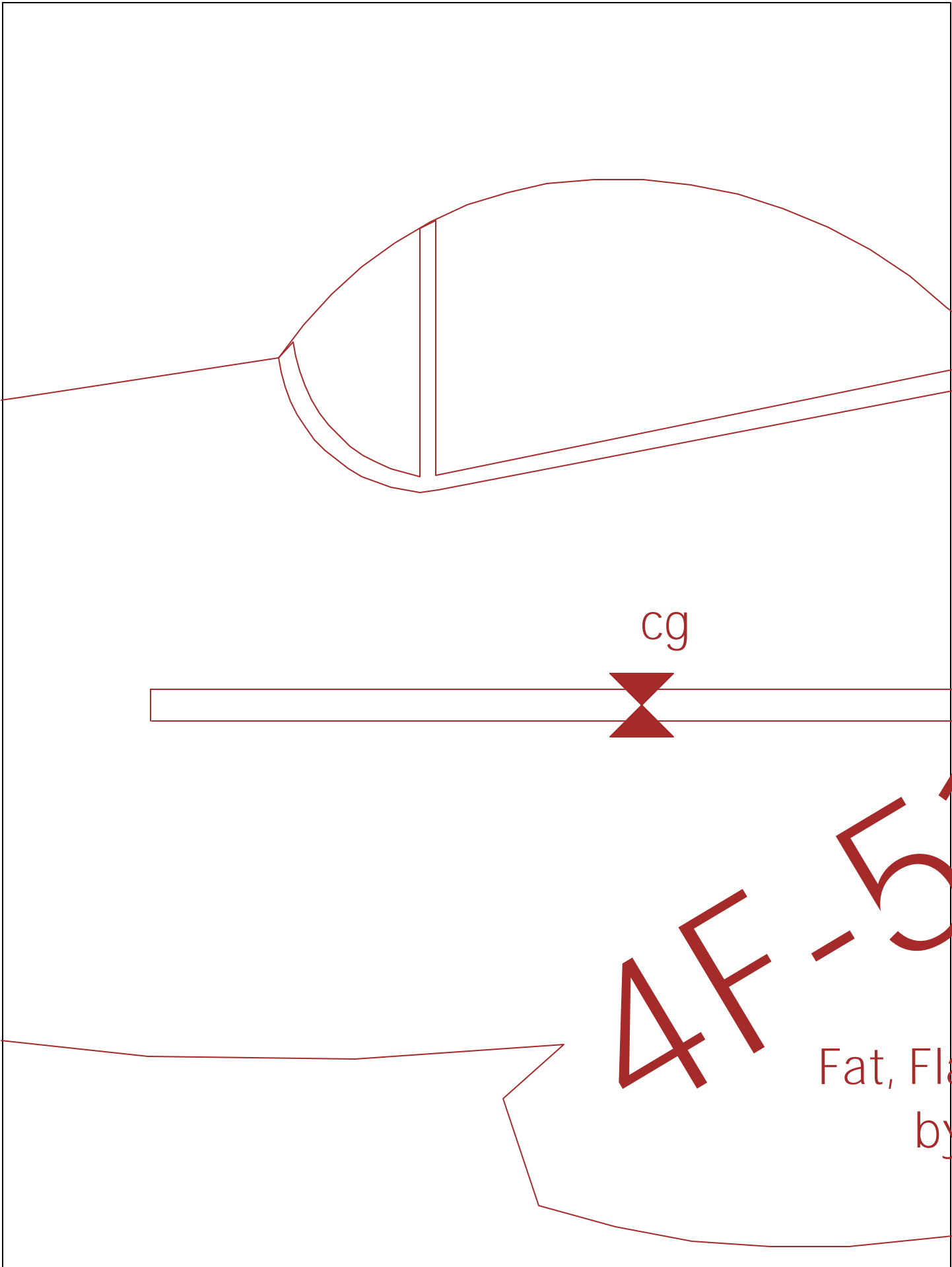


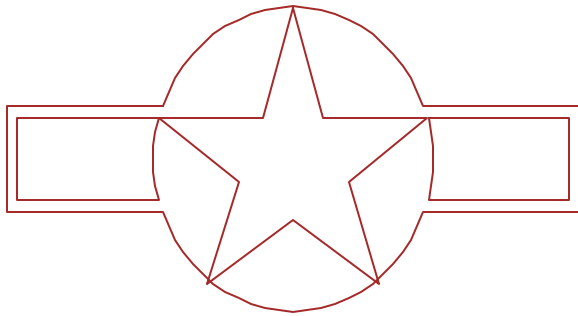
Specs:  
 24x 12 wing + 4" elevons  
 384 sqin  
 6.5-7 oz  
 2.7 oz/sqin  
 15t CDR, 8x4HD prop  
 2s830, 7.6a, 53w  
 9.7oz thrust, 29mph  
 120W/Lb  
 4 channel, elevon, rudder

4F-51

Fat, Flat, Floppy Foamy  
 by Gene Bond

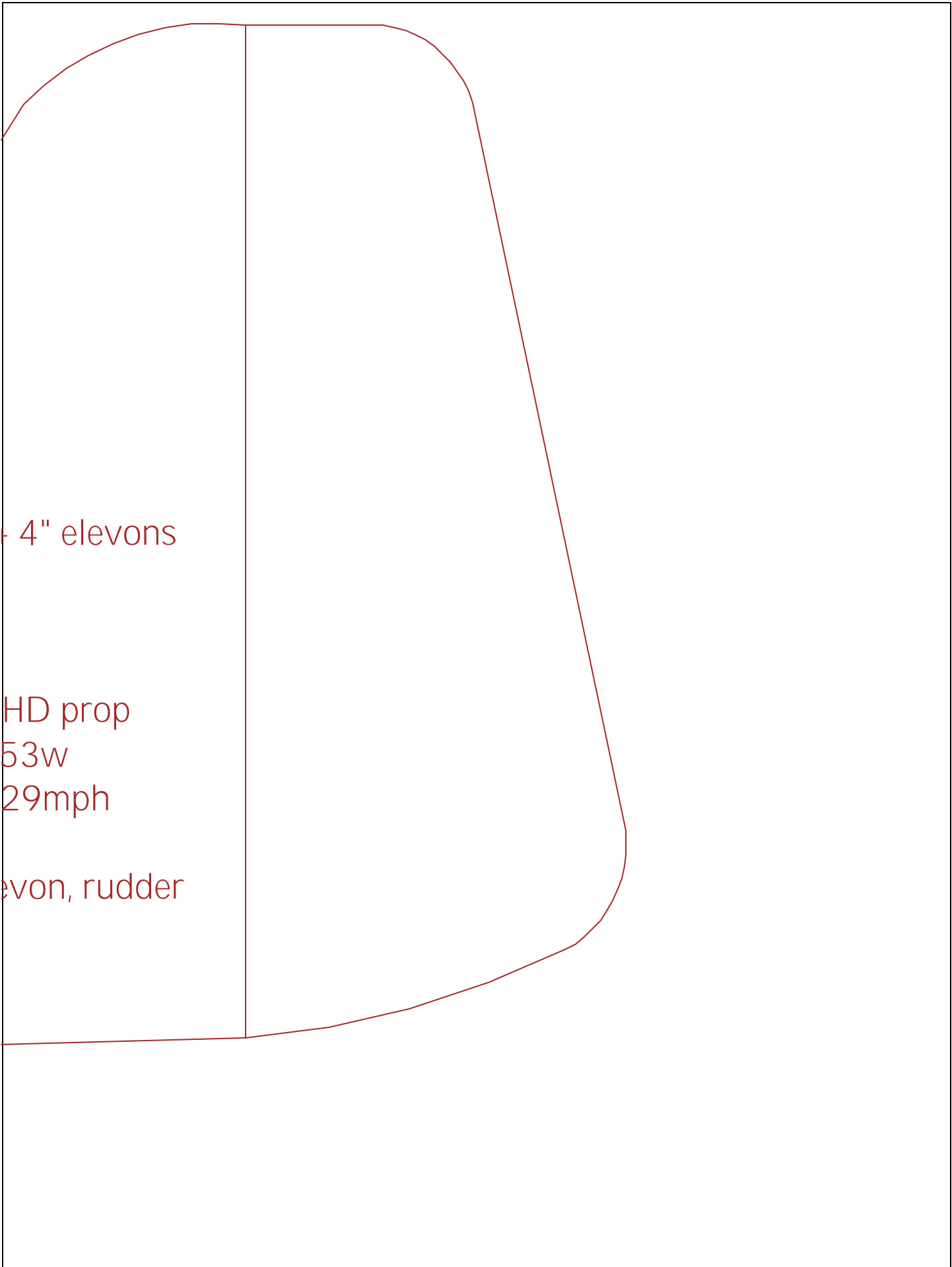






Specs:  
24x 12 wing +  
384 sqin  
6.5-7 oz  
2.7 oz/sqin  
15t CDR, 8x4  
2s830, 7.6a,  
9.7oz thrust,  
120W/Lb  
4 channel, ele

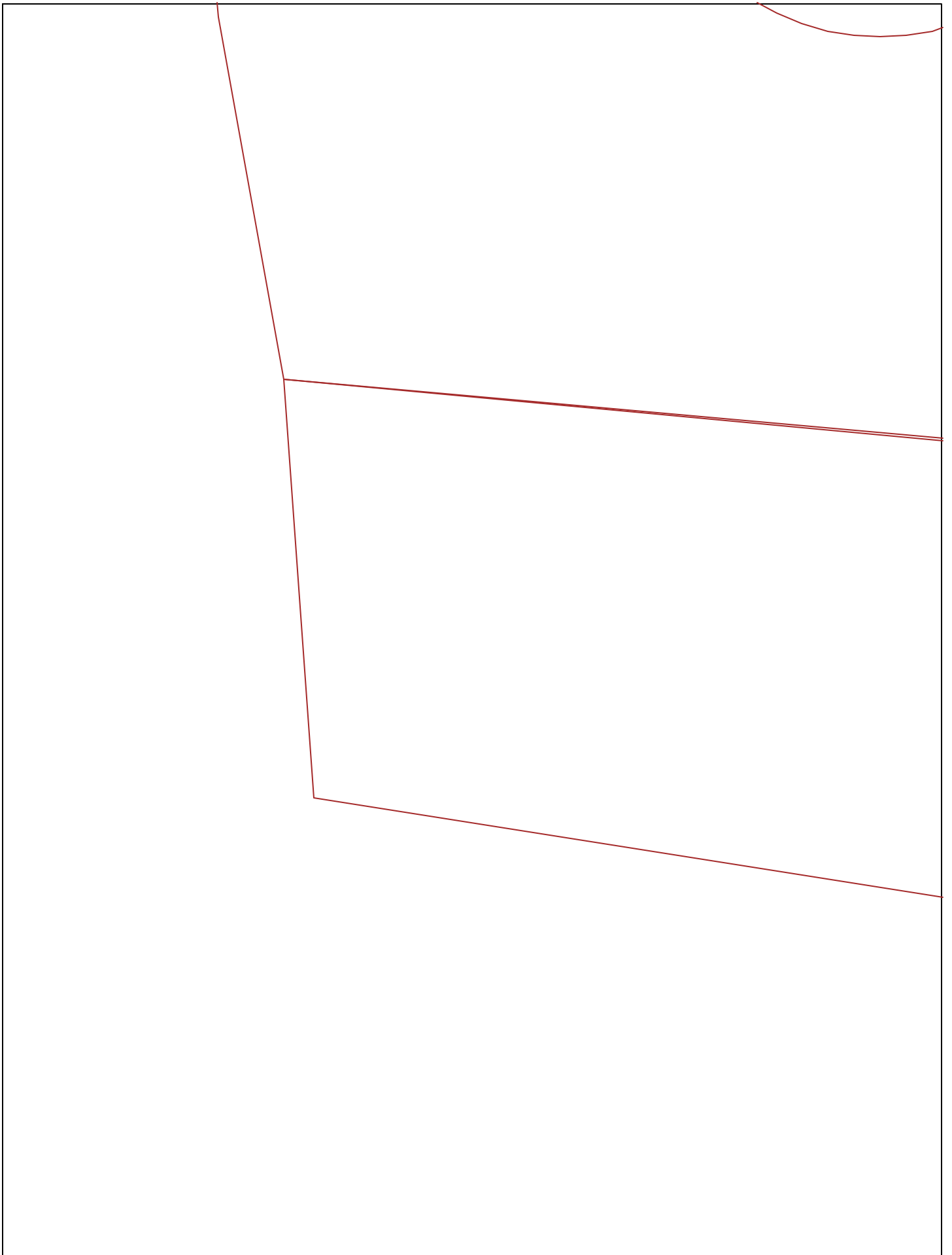
at, Floppy Foamy  
y Gene Bond

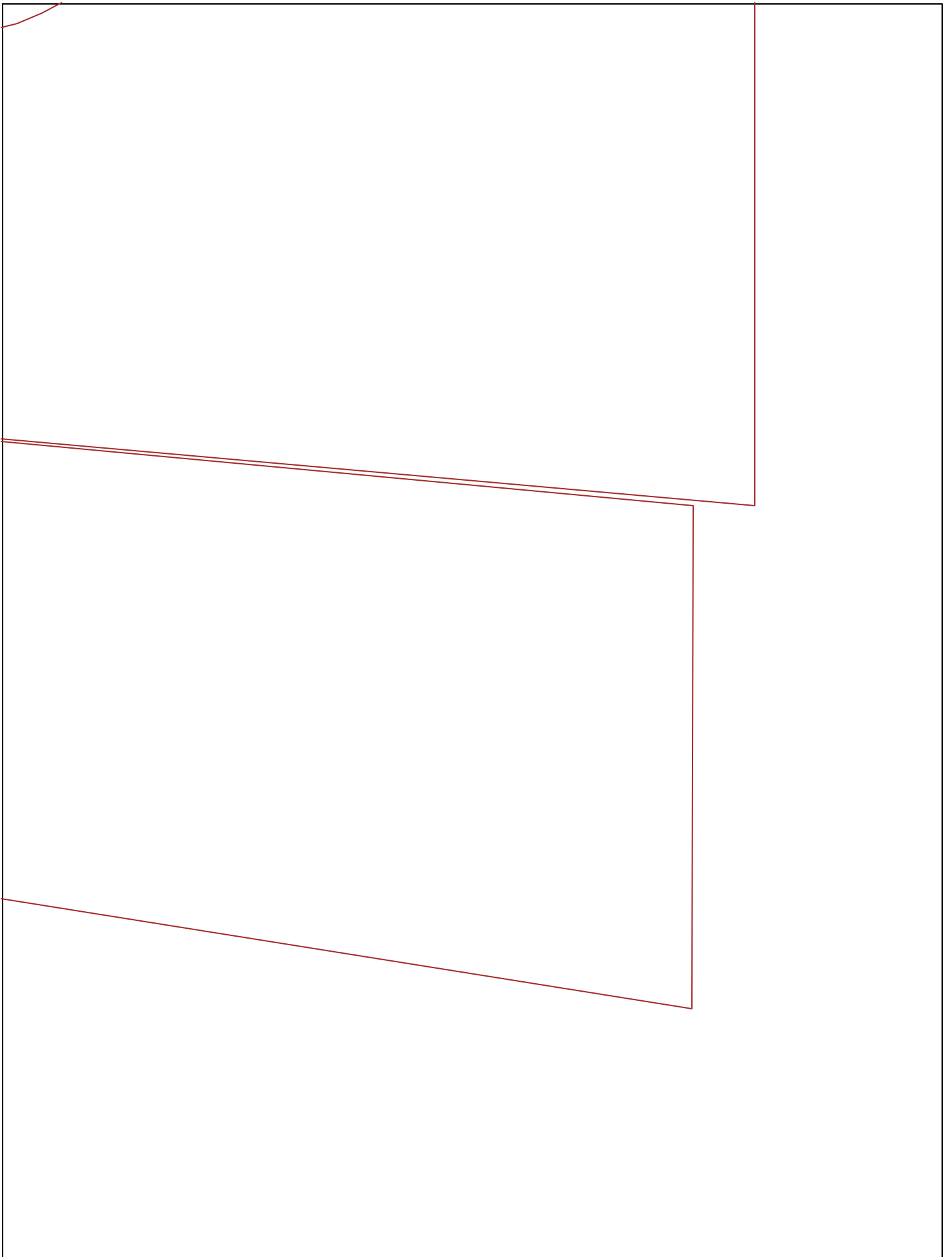


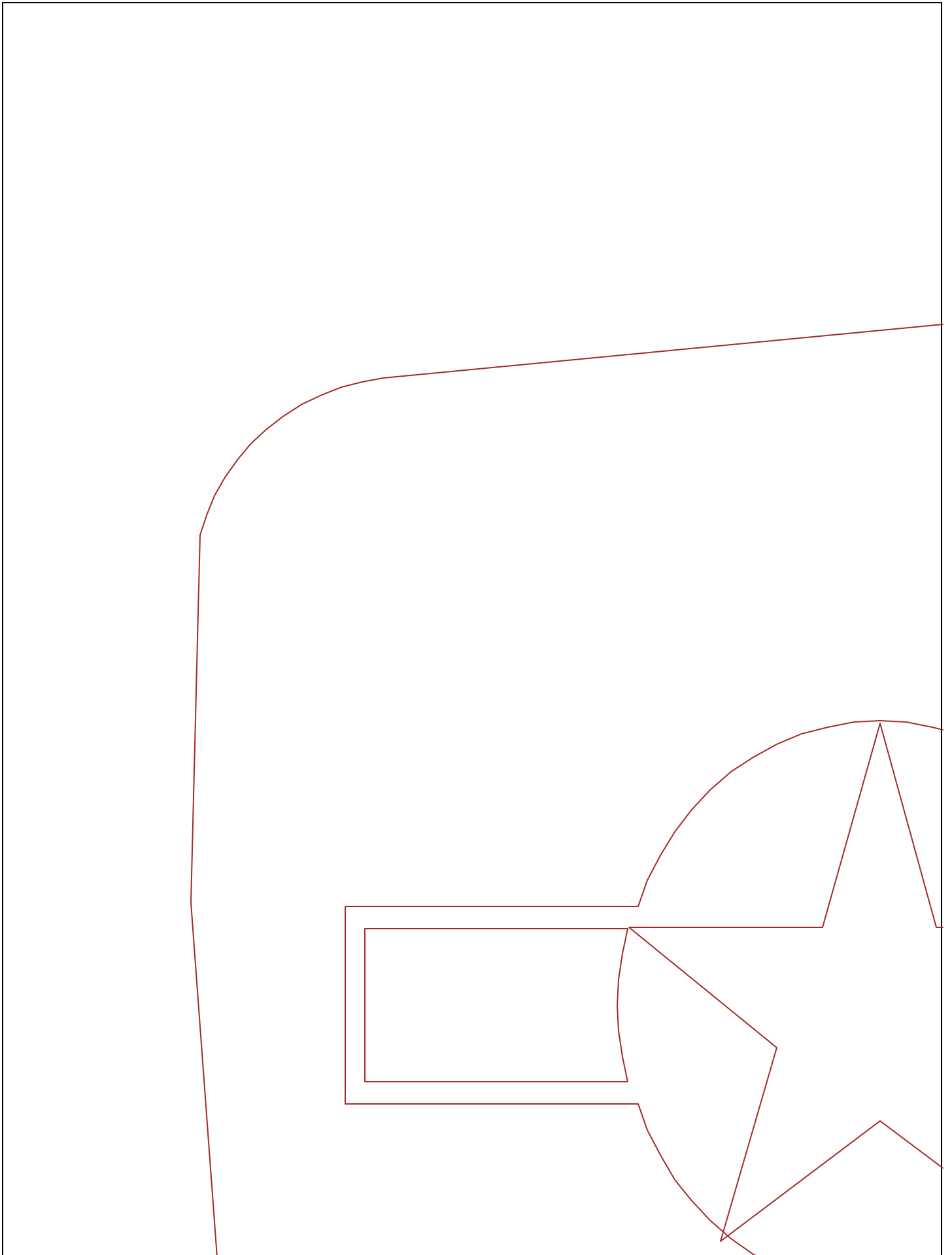
+ 4" elevons

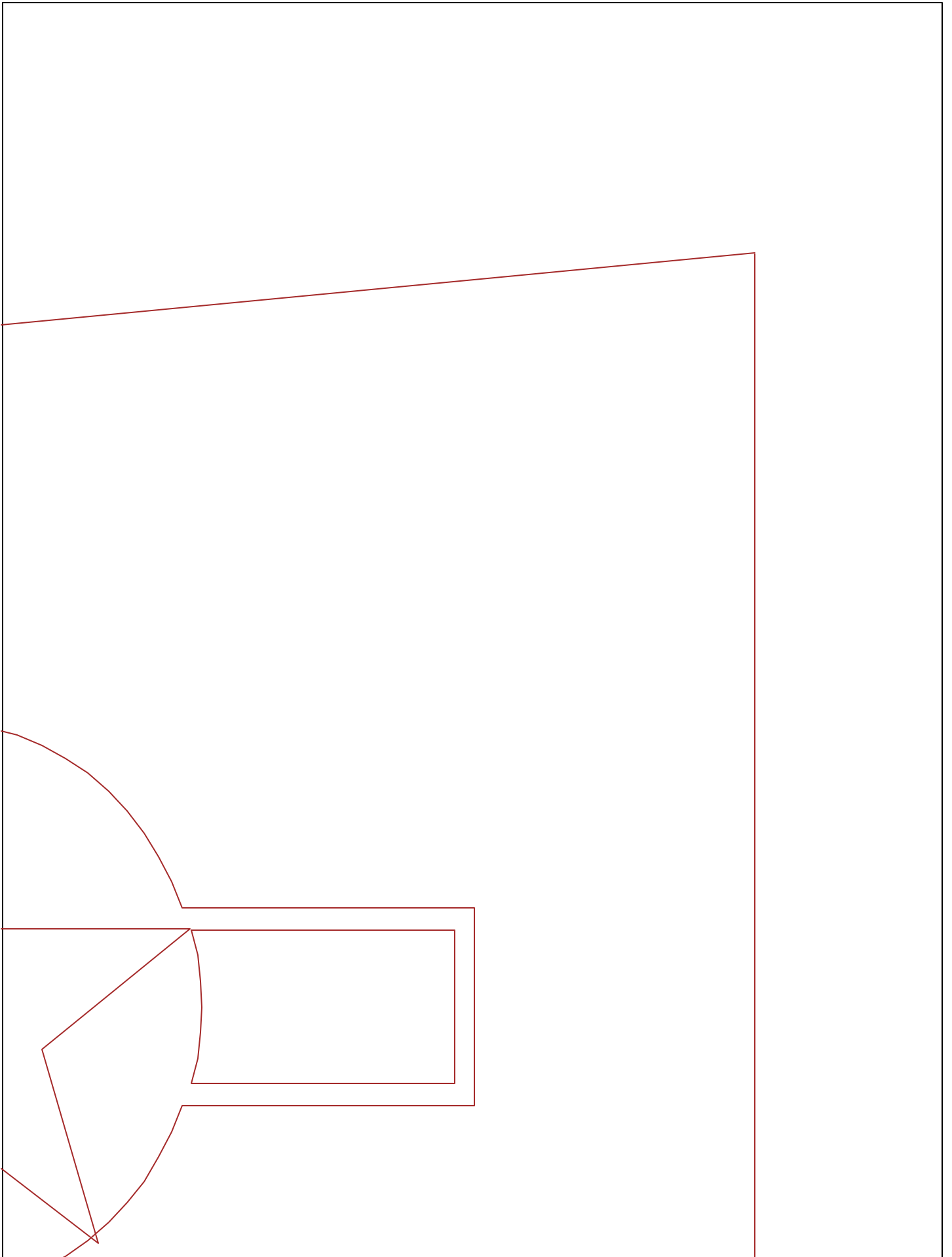
HD prop  
53w  
29mph

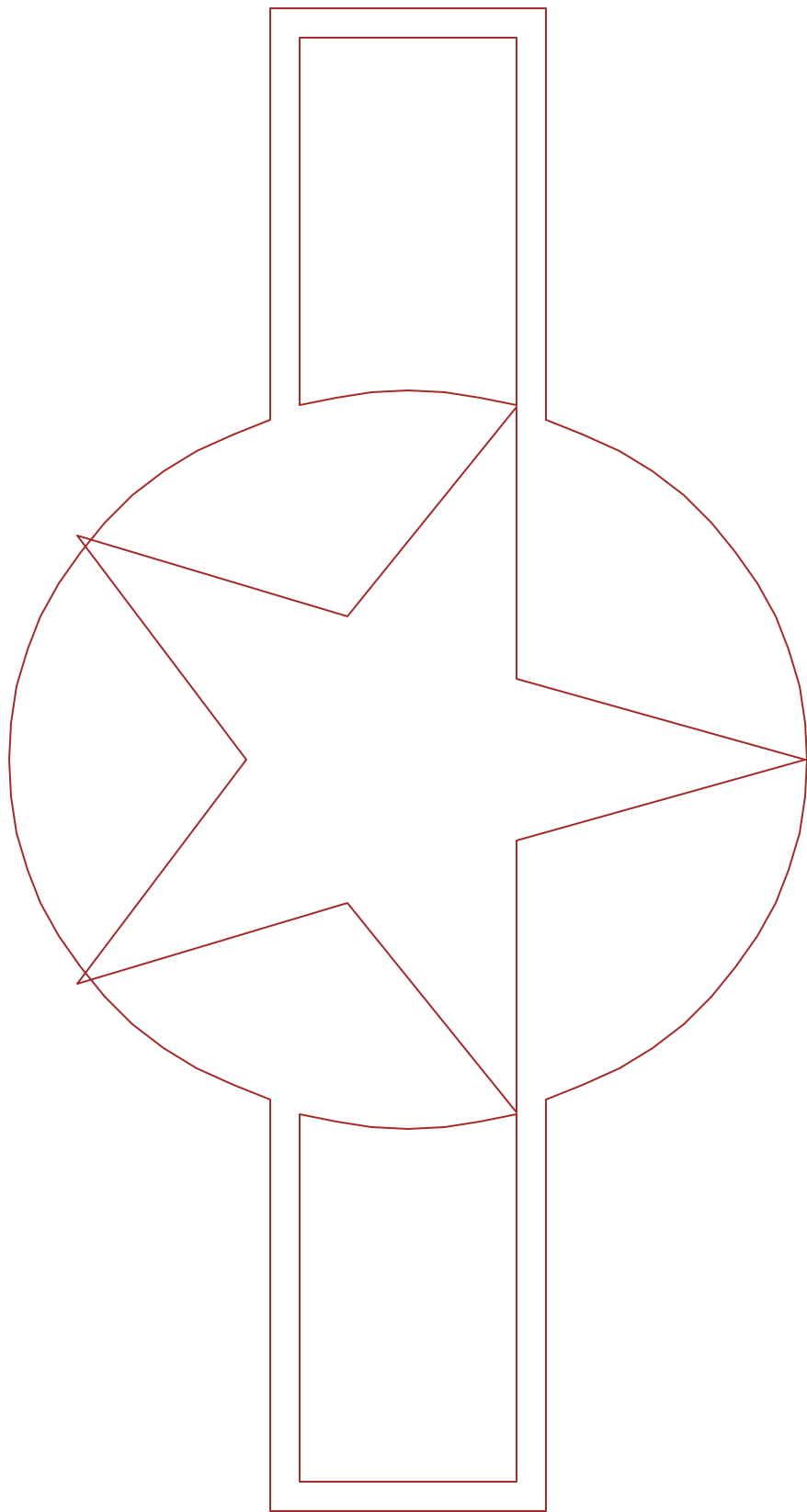
evon, rudder

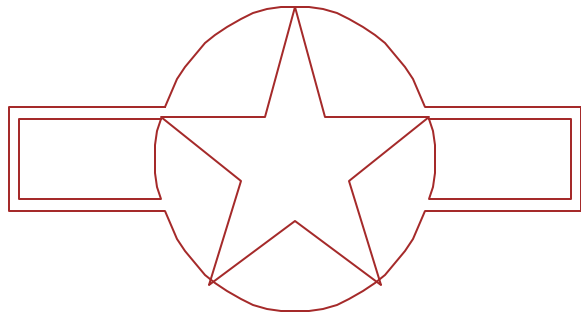


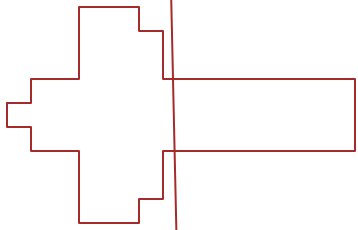




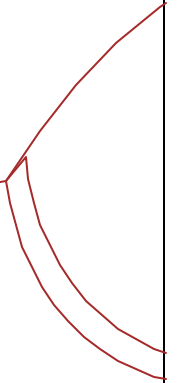


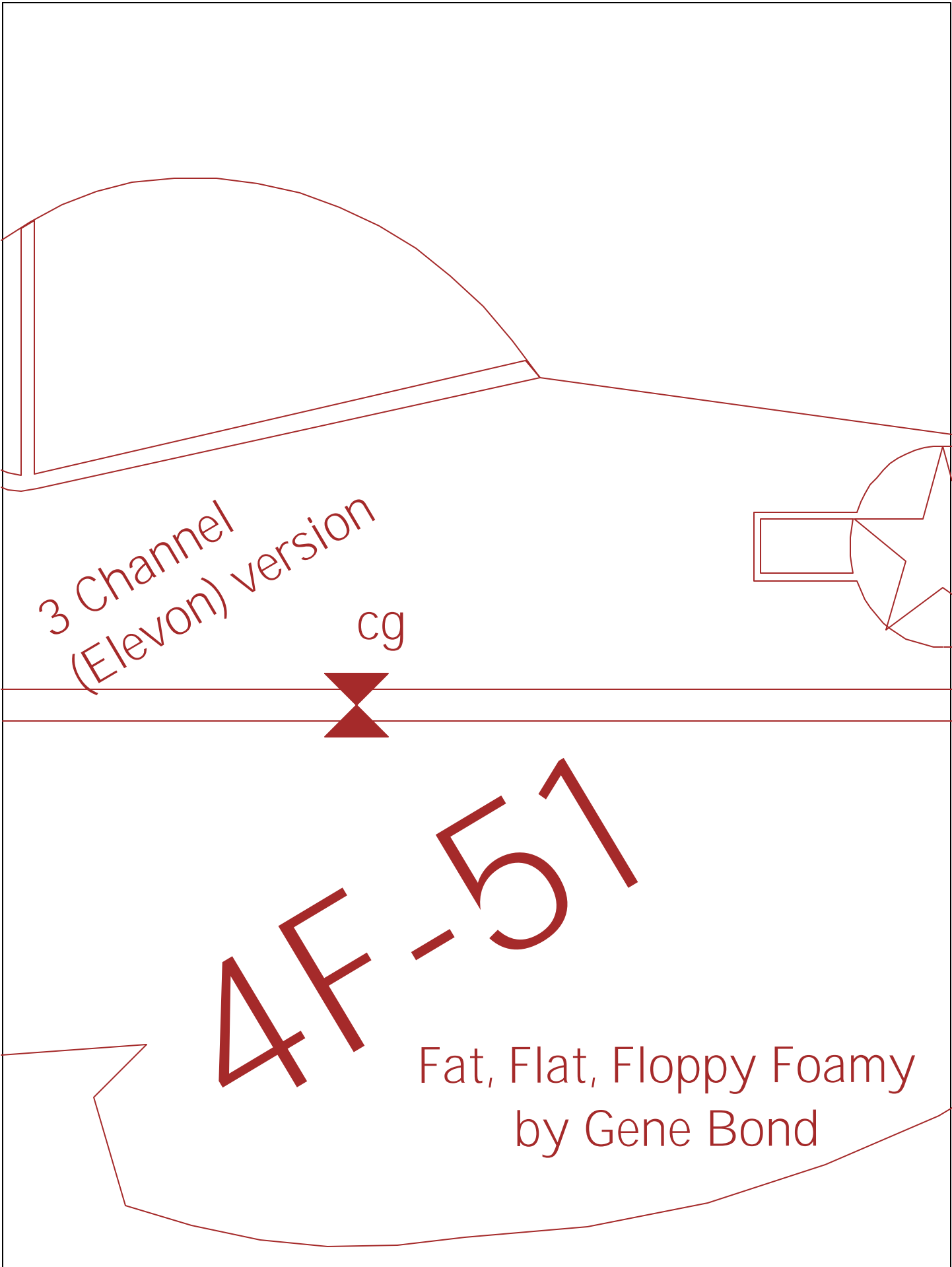






3 Channel  
(Elevon) version





3 Channel  
(Elevon) version

cg

4F-51

Fat, Flat, Floppy Foamy  
by Gene Bond



3 Channel  
(Elevon) version

Specs: (4 channel)

24x 12 wing + 4" elevons

384 sqin

6.5-7 oz

2.7 oz/sqin

15t CDR, 8x4HD prop

2s830, 7.6a, 53w

9.7oz thrust, 29mph

120W/Lb

4 channel, elevon, rudder